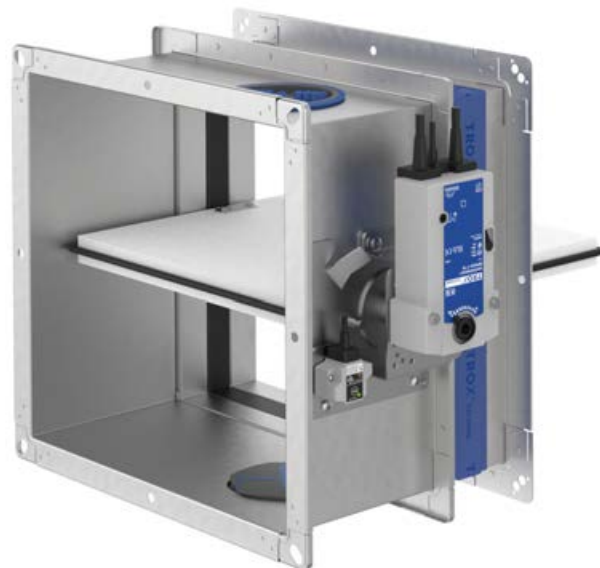




Fire damper

Type FKA2-EU

according to Declaration of Performance
DoP / FKA2-EU / DE / 002



Short version

This is a content-reduced short version. The full version is available at www.trox-docs.com.

TROX[®] TECHNIK

The art of handling air

TROX GmbH
Heinrich-Trox-Platz
47504 Neukirchen-Vluyn
Germany
Phone: +49 (0) 2845 2020
Fax: +49 (0) 2845 202-265
E-mail: trox-de@troxgroup.com
Internet: <http://www.troxtechnik.com>

Translation of the original
A00000092721, 1, GB/en
07/2022

© 2022

General information

About this manual

This operating and installation manual enables operating or service personnel to correctly install the TROX product described below and to use it safely and efficiently.

This operating and installation manual is intended for use by fitting and installation companies, in-house technicians, technical staff, instructed persons, and qualified electricians or air conditioning technicians.

It is essential that these individuals read and fully understand this manual before starting any work. The basic prerequisite for safe working is to comply with the safety notes and all instructions in this manual.

The local regulations for health and safety at work and general safety regulations also apply.

This manual must be given to the system owner when handing over the system. The system owner must include the manual with the system documentation. The manual must be kept in a place that is accessible at all times.

Illustrations in this manual are mainly for information and may differ from the actual design.

Copyright

This document, including all illustrations, is protected by copyright and pertains only to the corresponding product.

Any use without our consent may be an infringement of copyright, and the violator will be held liable for any damage.

This applies in particular to:

- Publishing content
- Copying content
- Translating content
- Microcopying content
- Saving content to electronic systems and editing it

TROX Technical Service

To ensure that your request is processed as quickly as possible, please keep the following information ready:

- Product name
- TROX order number
- Delivery date
- Brief description of the fault

Online	www.troxtechnik.com
Phone	+49 2845 202-400

Limitation of liability

The information in this manual has been compiled with reference to the applicable standards and guidelines, the state of the art, and our expertise and experience of many years.

The manufacturer does not accept any liability for damages resulting from:

- Non-compliance with this manual
- Incorrect use
- Operation or handling by untrained individuals
- Unauthorised modifications
- Technical changes
- Use of non-approved replacement parts

The actual scope of delivery may differ from the information in this manual for bespoke constructions, additional order options or as a result of recent technical changes.

The obligations agreed in the order, the general terms and conditions, the manufacturer's terms of delivery, and the legal regulations in effect at the time the contract is signed shall apply.

We reserve the right to make technical changes.

Warranty claims

The provisions of the respective general delivery terms apply to warranty claims. For purchase orders placed with TROX GmbH, these are the regulations in section "VI. Warranty claims" of the Delivery Terms of TROX GmbH, see www.trox.de/en/.

Safety notes

Symbols are used in this manual to alert readers to areas of potential hazard. Signal words express the degree of the hazard.

Comply with all safety instructions and proceed carefully to avoid accidents, injuries and damage to property.

DANGER!

Imminently hazardous situation which, if not avoided, will result in death or serious injury.

WARNING!

Potentially hazardous situation which, if not avoided, may result in death or serious injury.

CAUTION!

Potentially hazardous situation which, if not avoided, may result in minor or moderate injury.

NOTICE!

Potentially hazardous situation which, if not avoided, may result in property damage.

ENVIRONMENT!

Environmental pollution hazard.

Tips and recommendations



Useful tips and recommendations as well as information for efficient and fault-free operation.

Safety notes as part of instructions

Safety notes may refer to individual instructions. In this case, safety notes will be included in the instructions and hence facilitate following the instructions. The above listed signal words will be used.

Example:

1. ▶ Loosen the screw.

2. ▶

CAUTION!

Danger of finger entrapment when closing the lid.

Be careful when closing the lid.

3. ▶ Tighten the screw.

Specific safety notes

The following symbols are used in safety notes to alert you to specific hazards:

Warning signs	Type of danger
	Warning – danger zone.

1	Safety	6		
1.1	General safety notes	6		
1.2	Correct use	6	7	Commissioning
1.3	Qualified staff	6	8	Index
2	Technical data	7		
2.1	General data	7		
2.2	FKA2-EU with fusible link	9		
2.3	FKA2-EU with spring return actuator	12		
2.4	FKA2-EU with spring return actuator and duct smoke detector	19		
2.5	FKA2-EU with fusible link and cover grille as air transfer unit	20		
2.6	FKA2-EU with spring return actuator and duct smoke detector as air transfer damper	21		
3	Supply package, transport and storage	23		
4	Installation	24		
4.1	Installation situations	24		
4.2	Safety notes regarding installation	28		
4.3	General installation information	28		
4.4	Solid walls	40		
4.4.1	General	40		
4.4.2	Mortar-based installation	41		
4.5	Lightweight partition walls	43		
4.5.1	General	43		
4.5.2	Dry mortarless installation with installation kit ES	49		
4.5.3	Dry mortarless installation with fire batt	52		
4.6	Fixing the fire damper	56		
4.6.1	General	56		
4.6.2	Suspending fire dampers installed remote from solid walls and ceiling slabs	57		
4.6.3	Fixing the damper when a fire batt is used	58		
5	Electrical connection	60		
5.1	General safety notes	60		
5.2	Limit switches (fire dampers with fusible link)	60		
5.3	Spring return actuator	60		
5.4	Spring return actuator and duct smoke detector RM-O-3-D	60		
6	Functional test	61		
6.1	General	61		
6.2	Functional test with automatic control unit	61		
6.3	Fire damper with fusible link	62		
6.3.1	Fusible link – size 1	62		
6.3.2	Fusible link – sizes 2 and 3	63		
6.4	Fire damper with spring return actuator ..	66		
	6.4.1 Spring return actuator – BFL... / BFN...	66		

1 Safety

1.1 General safety notes

Sharp edges, sharp corners and thin sheet metal parts

 **CAUTION!**

Danger of injury from sharp edges, sharp corners and thin sheet metal parts!

Sharp edges, sharp corners and thin sheet metal parts may cause cuts or grazes.

- Be careful when carrying out any work.
- Wear protective gloves, safety shoes and a hard hat.

Electrical voltage

 **DANGER!**

Danger of electric shock! Do not touch any live components! Electrical equipment carries a dangerous electrical voltage.

- Only skilled qualified electricians are allowed to work on the electrical system.
- Switch off the power supply before working on any electrical equipment.

1.2 Correct use

- The fire damper is used as an automatic shut-off device to prevent fire and smoke from spreading through ducting.
- The fire damper is suitable for supply and extract air in HVAC systems.
- Operation of the fire dampers is allowed only in compliance with installation regulations and the technical data in this installation and operating manual.
- Modifying the fire damper or using replacement parts that have not been approved by TROX is not permitted.

Incorrect use

 **WARNING!**

Danger due to incorrect use!

Incorrect use of the fire damper can lead to dangerous situations.

Never use the fire damper

- in areas with potentially explosive atmospheres
- as a smoke control damper
- outdoors without sufficient protection against the effects of weather
- in atmospheres where chemical reactions, whether planned or unplanned, may cause damage to the fire damper or lead to corrosion

1.3 Qualified staff

 **WARNING!**

Danger of injury due to insufficiently qualified individuals!

Incorrect use may cause considerable injury or damage to property.

- Only specialist personnel must carry out work.

Personnel:

- Skilled qualified electrician
- Specialist personnel

Skilled qualified electrician

Skilled qualified electricians are individuals who have sufficient professional or technical training, knowledge and actual experience to enable them to work on electrical systems, understand any potential hazards related to the work under consideration, and recognise and avoid any risks involved.

Specialist personnel

Specialist personnel are individuals who have sufficient professional or technical training, knowledge and actual experience to enable them to carry out their assigned duties, understand any potential hazards related to the work under consideration, and recognise and avoid any risks involved.

2 Technical data

2.1 General data

Nominal sizes B × H	200 × 100 – 1500 × 800 mm *
Casing lengths L	305 and 500 mm
Volume flow rate range	Up to 14400 l/s or 51840 m³/h
Differential pressure range	Up to 2000 Pa
Temperature range ^{1, 3}	-20 °C – 50 °C
Release temperature	72 °C or 95 °C
Upstream velocity ²	≤ 8 m/s with fusible link, ≤ 12 m/s with spring return actuator
Closed blade air leakage	EN 1751, Class 2
Casing air leakage	EN 1751, L = 305 mm, class C L = 500 mm, class C; (B + H) ≤ 700, class B
EC conformity	<ul style="list-style-type: none"> ■ Construction Products Regulation (EU) no. 305/2011 ■ EN 15650 – Ventilation for buildings – Fire dampers ■ EN 13501-3 – Classification: Fire resistant ducts and fire dampers ⁴ ■ EN 1366-2 – Fire resistance tests for installations: Fire dampers ■ EN 1751 Ventilation for buildings – Air terminal devices
Declaration of performance	DoP / FKA2-EU / DE / 002

¹⁾ Temperatures may differ for units with attachments. Details for other applications are available on request.

²⁾ Data applies to uniform upstream and downstream conditions for the fire damper.

³⁾ Condensation and the intake of humid fresh air have to be avoided as otherwise operation will be impaired or not possible.

⁴⁾ Leakage rate of the fire damper system tested at 300 Pa and 500 Pa negative pressure.

* Damper blade with lip seal for sizes 1 and 2, damper blade with travel stop seal for size 3, see table 10.

General data

Product sticker

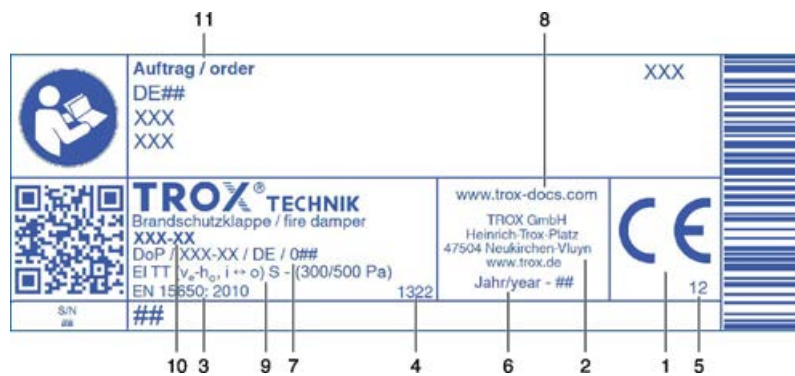


Fig. 1: Product sticker (example)

- | | | | |
|---|---|----|--|
| 1 | CE mark | 7 | No. of the declaration of performance |
| 2 | Manufacturer's address | 8 | Website from which the DoP can be downloaded |
| 3 | Number of the European standard and year of its publication | 9 | Regulated characteristics; the fire resistance class depends on the application and may vary
↳ Chapter 4.1 'Installation situations' on page 24 |
| 4 | Notified body | 10 | Type |
| 5 | The last two digits of the year in which the CE marking was affixed | 11 | Order number |
| 6 | Year of manufacture | | |

2.2 FKA2-EU with fusible link

Dimensions and weight

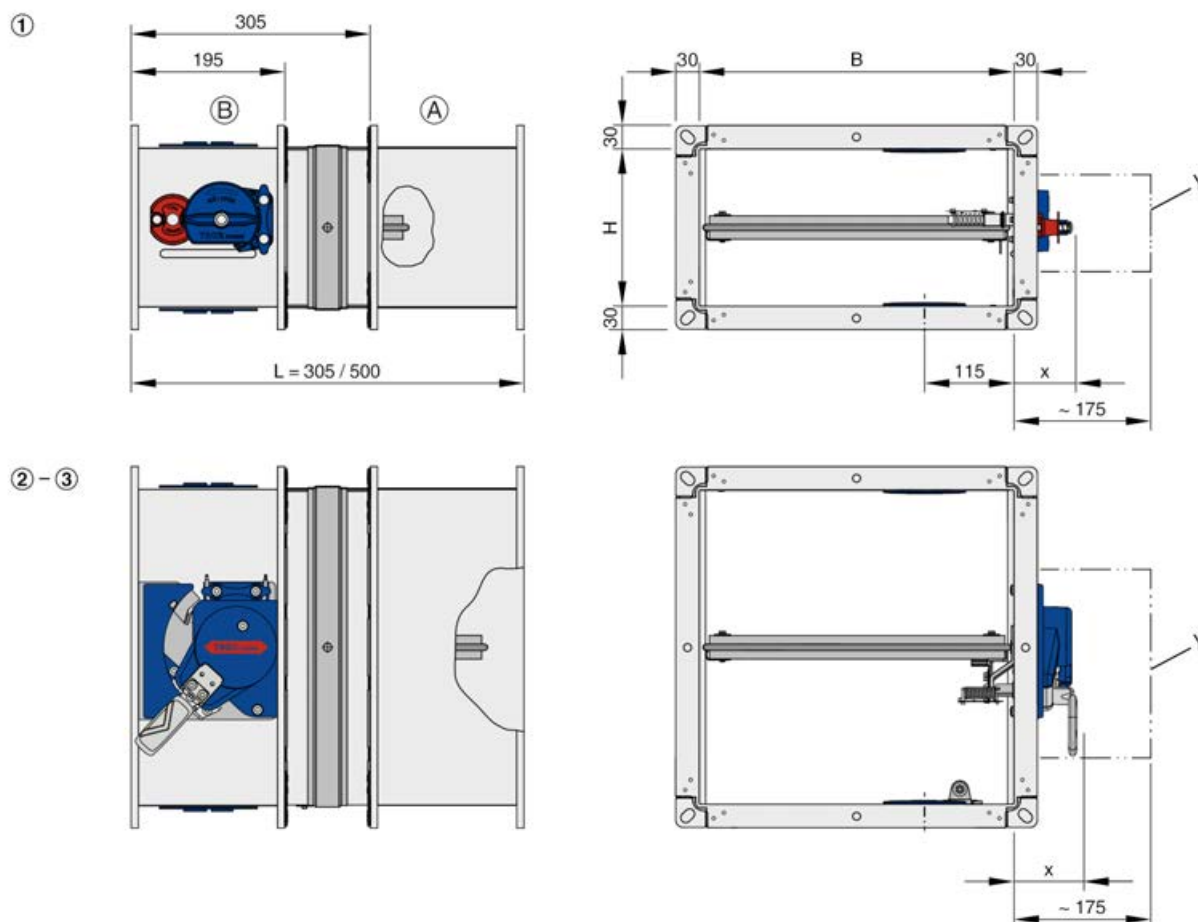


Fig. 2: FKA2-EU with fusible link

B Width of the fire damper (side B)
 H Height of the fire damper (side H)
 FL Length of the fire damper (casing length)
 Y Keep clear to provide access for operation

x 75 mm size 1
 87 mm sizes 2 and 3
 (A) Installation side
 (B) Operating side

- Weight of FKA2-EU with fusible link, see table 10.
- Sizes 1 to 3, see table 10.
- Flange dimensions for L = 305 mm, see Fig. 3.

Limit switch	
Connecting cable length / cross section	1 m / 3 × 0.34 mm ²
Protection level	IP 66
Type of contact	1 changeover contact, gold-plated
Maximum switching current	0.5 A
Maximum switching voltage	30 V DC, 250 V AC
Contact resistance	approx. 30 mΩ

Weight [kg] for casing length L = 305 [mm] / L = 500 [mm]

H [mm]	B [mm]														1	
	200	300	400	500	600	700	800	900	1000	1100	1200	1300	1400	1500		
100	4/5	5/6	6/8	7/9	8/11	9/12	10/13	-	-	-	-	-	-	-	-	[A]
150	4/6	5/7	7/9	8/10	9/12	10/13	11/15	-	-	-	-	-	-	-		
200	5/7	6/8	7/10	9/12	10/13	11/15	12/16	15/20	16/21	21/27	23/29	24/31	26/32	27/34		
250	7/9	8/10	10/12	11/14	12/16	14/18	15/19	16/21	18/23	24/29	25/31	27/33	29/35	30/38		
300	8/10	9/12	11/14	12/15	13/17	15/19	16/21	18/23	19/25	26/32	28/34	30/36	32/39	33/41		
350	8/11	10/13	11/15	13/17	15/18	16/20	18/22	24/29	26/32	28/34	30/37	32/39	34/42	36/44		
400	9/11	11/13	12/16	14/18	16/20	17/22	19/24	26/31	28/34	31/37	33/39	35/42	37/45	39/47		
450	10/12	11/14	13/17	15/19	17/21	23/28	26/31	28/34	30/36	33/39	35/42	38/45	40/48	43/50		
500	10/13	12/15	14/18	16/20	18/22	25/30	27/33	30/36	33/39	35/42	36/45	40/48	43/51	46/54	[B]	
550	-	15/19	18/22	21/26	24/28	26/32	29/35	32/38	35/41	37/44	40/47	43/51	46/54	49/57		
600	-	16/20	19/23	22/27	25/30	28/33	31/37	34/40	37/43	40/47	43/50	46/53	49/57	52/60		
650	-	17/21	20/25	23/28	27/32	30/35	33/39	36/42	39/46	42/49	45/53	48/56	51/60	55/63		
700	-	18/22	21/26	25/30	28/33	31/37	35/41	38/44	41/48	44/52	48/55	51/59	54/63	58/67		
750	-	19/23	22/27	26/31	29/35	33/39	36/43	40/47	43/50	47/54	50/58	54/62	57/66	61/70		
800	-	20/24	24/28	27/33	31/36	34/40	38/44	42/49	45/53	49/57	53/61	56/65	60/69	64/73		

¹⁾ Construction with spring return actuator: [A] = Horizontally arranged spring return actuator, [B] = Vertically arranged spring return actuator

Sizes



Damper blade (30 mm thick) with lip seal for sizes 1 and 2, damper blade (40 mm thick) with travel stop seal for size 3.

Flange holes

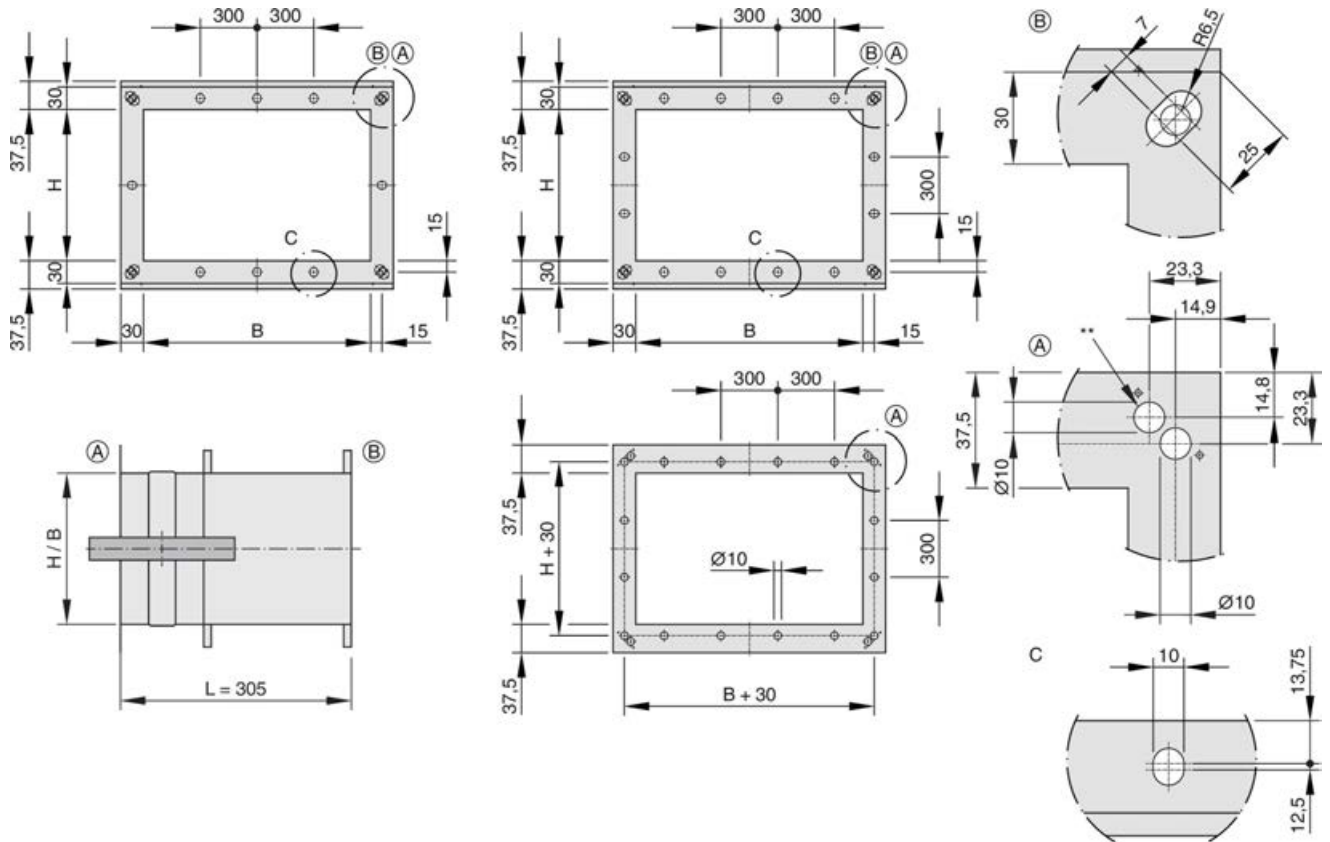


Fig. 3: Flange holes L = 305 mm – uneven and even number of holes

** Other flange holes (non-standard)

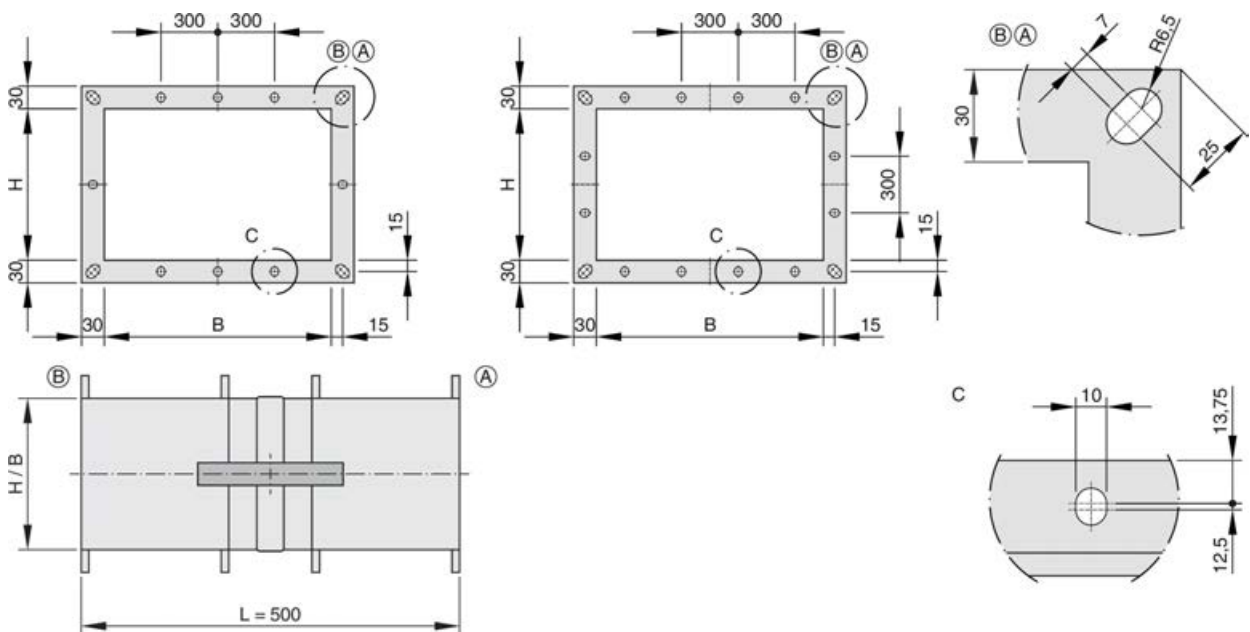


Fig. 4: Flange holes L = 500 mm – uneven and even number of holes

B or H [mm]	200/100 – 355	360 – 630	635 – 800	805 – 1250	1255 – 1500
No. of holes on each side excluding corner holes	–	1	2	3	4

2.3 FKA2-EU with spring return actuator

Dimensions and weight

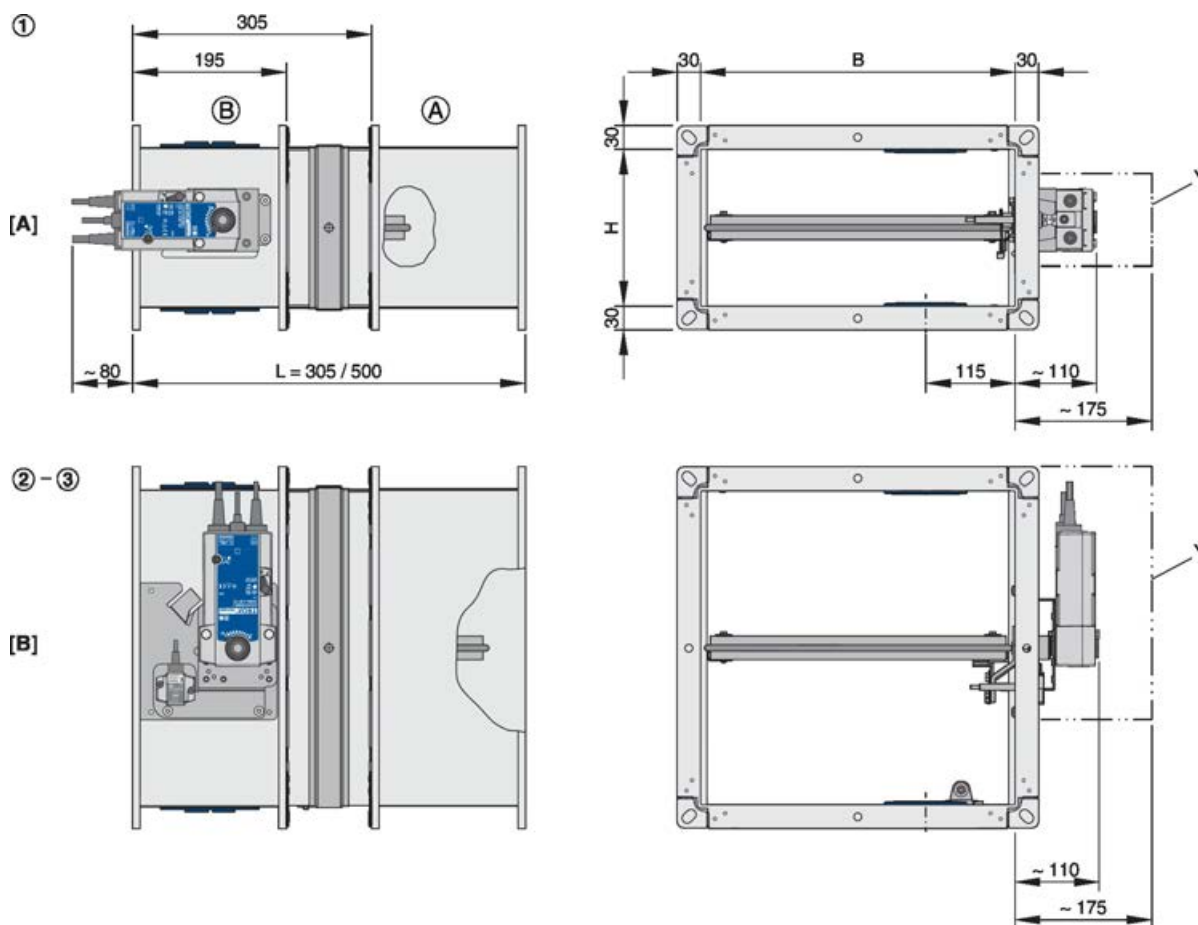


Fig. 5: FKA2-EU with Belimo spring return actuator

- | | | | |
|-----|---|-----|--|
| B | Width of the fire damper (side B) | [B] | Spring return actuator vertical |
| H | Height of the fire damper (side H) | Y | Keep clear to provide access for operation |
| FL | Length of the fire damper (casing length) | Ⓐ | Installation side |
| [A] | Spring return actuator horizontal | Ⓑ | Operating side |

- Weight of FKA2-EU with fusible link + approx. 1 kg (BFL... and BFN...), see table ☞ 10 .
- For sizes 1 to 3 and orientation of the spring return actuator [A] or [B] see table ☞ 10 .
- Flange dimensions for L = 305 mm, see Fig. 3 .

Spring return actuator BFL...			
Construction		230-T TR	24-T-ST TR
Supply voltage		230 V AC, 50/60 Hz	24 V AC/DC, 50/60 Hz
Functional range		198 – 264 V AC	19.2 – 28.8 V AC 21.6 – 28.8 V DC
Power rating	Spring winding mechanism / hold position	3.5 W / 1.1 W	2.5 W / 0.8 W
	Rating	6.5 VA	4 VA
Running time	Actuator / spring return	< 60 s / < 20 s	
Limit switch	Type of contact	2 changeover contacts	
	Switching voltage	5 – 120 V DC / 5 – 250 V AC	
	Switching current	1 mA – 3 (0.5 inductive) A	
	Contact resistance	< 1 Ω (when new)	
IEC protection class / IP protection		II / IP 54	
Storage temperature / ambient temperature		-40 – 55 °C / -30 – 55 °C ¹	
Ambient humidity		≤ 95% rh, no condensation	
Connecting cable	Actuator / limit switch	1 m, 2 × 0.75 mm ² / 1 m, 6 × 0.75 mm ² (free of halogens)	

Spring return actuator type BFL... for size 1.

¹ Up to 75 °C the safe position will definitely be reached.

Spring return actuator BFN...			
Construction		230-T TR	24-T-ST TR
Supply voltage		230 V AC, 50/60 Hz	24 V AC/DC, 50/60 Hz
Functional range		198 – 264 V AC	19.2 – 28.8 V AC 21.6 – 28.8 V DC
Power rating	Spring winding mechanism / hold position	5 W / 2.1 W	4 W / 1.4 W
	Rating	10 VA (I _{max} 4 A @ 5 ms)	6 VA (I _{max} 8.3 A @ 5 ms)
Running time	Actuator / spring return	< 60 s / < 20 s	
Limit switch	Type of contact	2 changeover contacts	
	Switching voltage	5 – 120 V DC / 5 – 250 V AC	
	Switching current	1 mA – 3 (0.5 inductive) A	
	Contact resistance	< 1 Ω (when new)	
IEC protection class / IP protection		II / IP 54	
Storage temperature / ambient temperature		-40 – 55 °C / -30 – 55 °C ¹	
Ambient humidity		≤ 95% rh, no condensation	
Connecting cable	Actuator / limit switch	1 m, 2 × 0.75 mm ² / 1 m, 6 × 0.75 mm ² (free of halogens)	

Spring return actuator type BFN... for size 2 and 3.

¹ Up to 75 °C the safe position will definitely be reached.

Spring return actuator BF...			
Construction		230-TN TR	24-TN-ST TR
Supply voltage		230 V AC, 50/60 Hz	24 V AC/DC, 50/60 Hz
Functional range		198 – 264 V AC	19.2 – 28.8 V AC 21.6 – 28.8 V DC
Power rating	Spring-winding mechanism / hold position	8.5 W / 3 W	7 W / 2 W
	Rating	11 VA	10 VA
Run time	Actuator / spring return	< 120 s / approx. 16 s	
Limit switch	Type of contact	2 changeover contact	
	Switching voltage	5 – 120 V DC / 5 – 250 V AC	
	Switching current	1 mA ... 6 A	
	Contact resistance	< 100 mΩ	
IEC protection class / IP protection		II / IP 54	III / IP 54
Storage temperature / ambient temperature		-40 to 50 °C / -30 to 50 °C ¹	
Ambient humidity		≤ 95% rh, no condensation	
Connecting cable	Actuator / limit switch	1 m, 2 × 0.75 mm ² / 1 m, 6 × 0.75 mm ² (free of halogens)	

BF actuator optional / upon request, weight of FKA2-EU with fusible link + approx. 2 kg

¹ Up to 75 °C the safe position will definitely be reached.

Dimensions and weight

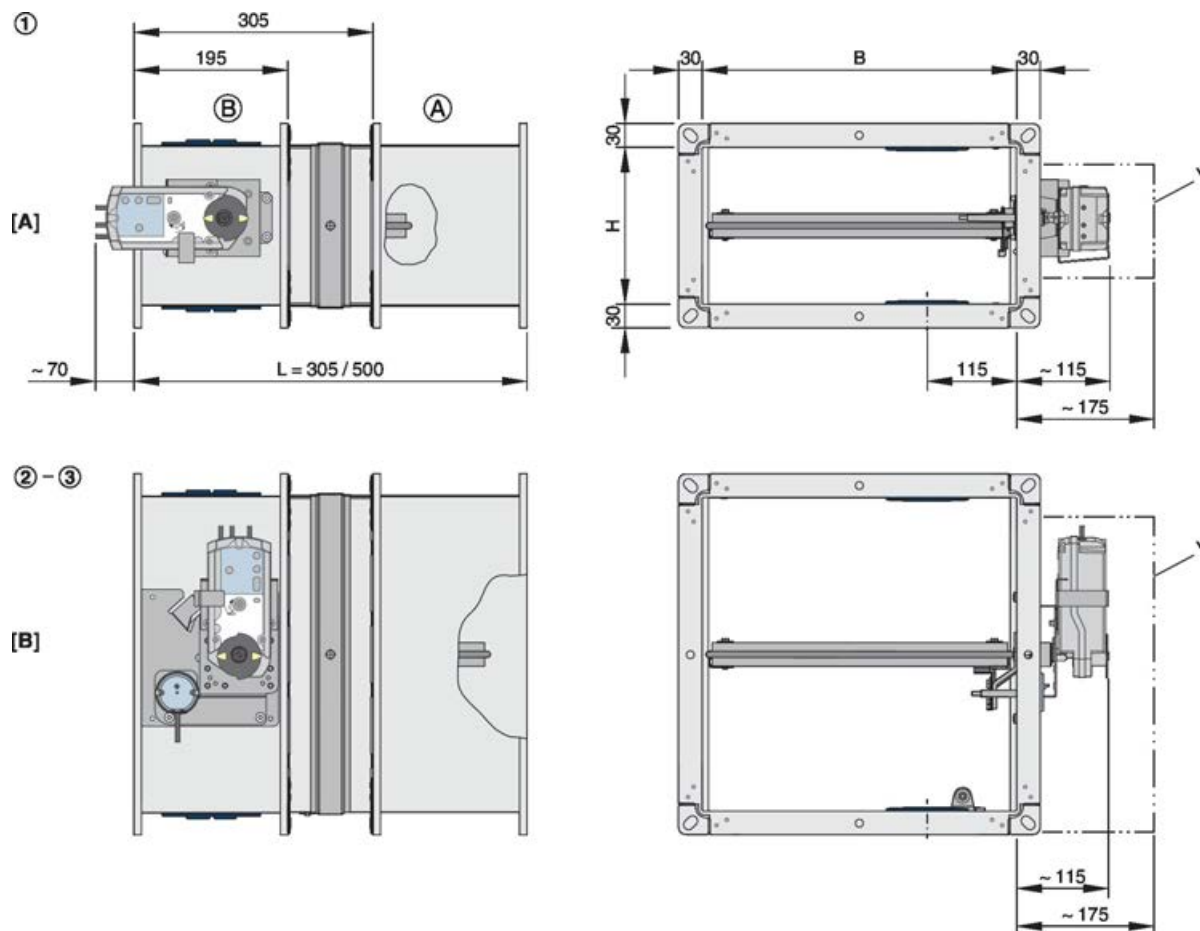


Fig. 6: FKA2-EU with Siemens spring return actuator

- | | | | |
|-----|---|-----|--|
| B | Width of the fire damper (side B) | [B] | Spring return actuator vertical |
| H | Height of the fire damper (side H) | Y | Keep clear to provide access for operation |
| FL | Length of the fire damper (casing length) | (A) | Installation side |
| [A] | Spring return actuator horizontal | (B) | Operating side |

- Weight of FKA2-EU with fusible link + approx. 1.4 kg (GRA... and GNA...), see table 10 .
- For sizes 1 to 3 and orientation of the spring return actuator [A] or [B] see table 10 .
- Flange dimensions for L = 305 mm, see Fig. 3 .

Spring return actuator GRA...			
Construction		326.1E	126.1E
Supply voltage		230 V AC, 50/60 Hz	24 V AC, 50/60 Hz / 24 – 48 V DC
Functional range		198 – 264 V AC	19.2 – 28.8 V AC 19.2 – 57.6 V DC
Power rating	Spring-winding mechanism	7 VA / 4.5 W	5 VA / 3.5 W
	Hold position	3.5 W	2 W
Run time	Actuator / spring return	90 s / 15 s	
Limit switch	Type of contact	2 changeover contact	
	Switching voltage	24 – 230 V AC / 12 – 30 V DC	
	Switching current	AC: 6 A (inductive 2 A) / DC: 2 A	
IEC protection class / IP protection		II / IP 42 or IP 54*	III / IP 42 or IP 54*
Storage temperature / ambient temperature		-20 to 50 °C / -20 to 50 °C	
Ambient humidity		< 95% rh, no condensation	
Connecting cable	Actuator / limit switch	0.9 m, 2 × 0.75 mm ² / 0.9 m, 6 × 0.75 mm ² (free of halogens)	

Spring return actuator GRA... for size 1.

*Connecting cable at the bottom

Spring return actuator GNA...			
Construction		326.1E	126.1E
Supply voltage		230 V AC, 50/60 Hz	24 V AC, 50/60 Hz / 24 – 48 V DC
Functional range		198 – 264 V AC	19.2 – 28.8 V AC 19.2 – 57.6 V DC
Power rating	Spring-winding mechanism	7 VA / 4.5 W	5 VA / 3.5 W
	Hold position	3.5 W	2 W
Run time	Actuator / spring return	90 s / 15 s	
Limit switch	Type of contact	2 changeover contact	
	Switching voltage	24 – 230 V AC / 12 – 30 V DC	
	Switching current	AC: 6 A (inductive 2 A) / DC: 2 A	
IEC protection class / IP protection		II / IP 42 or IP 54*	III / IP 42 or IP 54*
Storage temperature / ambient temperature		-20 to 50 °C / -20 to 50 °C	
Ambient humidity		< 95% rh, no condensation	
Connecting cable	Actuator / limit switch	0.9 m, 2 × 0.75 mm ² / 0.9 m, 6 × 0.75 mm ² (free of halogens)	

Spring return actuator GNA... for sizes 2 and 3.

*Connecting cable at the bottom

FKA2-EU with spring return actuator

Spring return actuator GGA...			
Construction		326.1E	126.1E
Supply voltage		230 V AC, 50/60 Hz	24 V AC, 50/60 Hz / 24 – 48 V DC
Functional range		198 – 264 V AC	19.2 – 28.8 V AC 19.2 – 57.6 V DC
Power rating	Spring-winding mechanism	8 VA / 6 W	7 VA / 5 W
	Hold position	4 W	3 W
Run time	Actuator / spring return	90 s / 15 s	
Limit switch	Type of contact	2 changeover contact	
	Switching voltage	24 – 230 V AC / 12 – 30 V DC	
	Switching current	AC: 6 A (inductive 2 A) / DC: 2 A	
IEC protection class / IP protection		II / IP 42 or IP 54*	III / IP 42 or IP 54*
Storage temperature / ambient temperature		-20 to 50 °C / -20 to 50 °C	
Ambient humidity		< 95% rh, no condensation	
Connecting cable	Actuator / limit switch	0.9 m, 2 × 0.75 mm ² / 0.9 m, 6 × 0.75 mm ² (free of halogens)	

GGA actuator optional / upon request, weight of FKA2-EU with fusible link + approx. 2.5 kg

*Connecting cable at the bottom

FKA2-EU with Joventa spring return actuator

FKA2-EU can also be supplied with a Joventa spring return actuator (upon request):

- SFR 2.90 T
- SFR 1.90 T
- SFR 1.90 T SLC

2.4 FKA2-EU with spring return actuator and duct smoke detector

Dimensions and weight

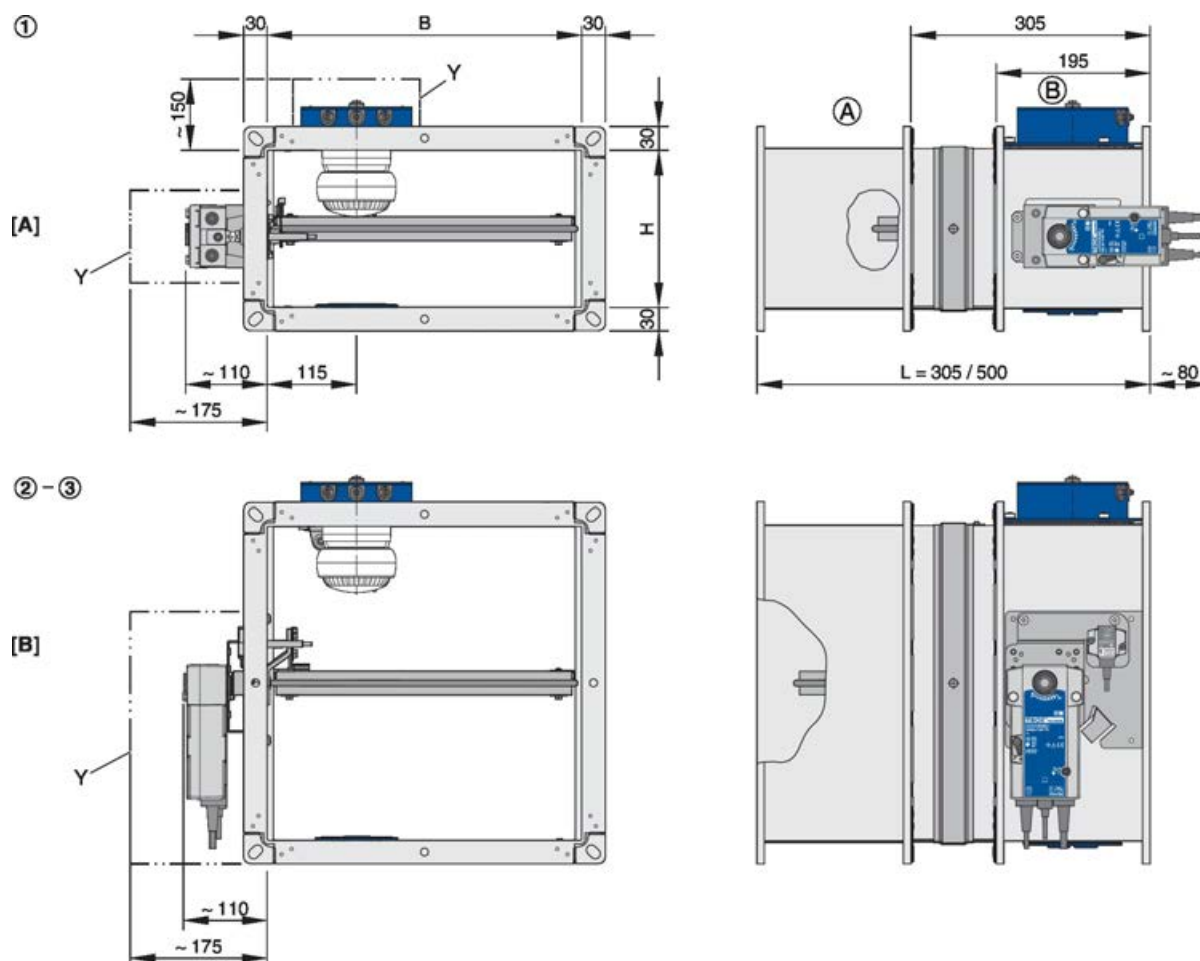


Fig. 7: FKA2-EU with Belimo spring return actuator and duct smoke detector

BB	Width of the fire damper (side B)	[B]	Spring return actuator vertical
H	Height of the fire damper (side H)	Y	Keep clear to provide access for operation
L	Length of the fire damper (casing length)	(A)	Installation side
[A]	Spring return actuator horizontal	(B)	Operating side

- Weight of FKA2-EU with fusible link + approx. 2.5 kg (BFL... and BFN...), see table 10.
- For technical data of the spring return actuator see table 13 and 15
- For sizes 1 to 3 and orientation of the spring return actuator [A] or [B] see table 10.
- Install duct smoke detector RM-O-3-D in the lower inspection access, and at the top when installing the fire damper. For technical details of the duct smoke detector see the RM-O-3-D operating and installation manual.

FKA2-EU with fusible link and cover grille as ai...

2.5 FKA2-EU with fusible link and cover grille as air transfer unit

Dimensions and weight

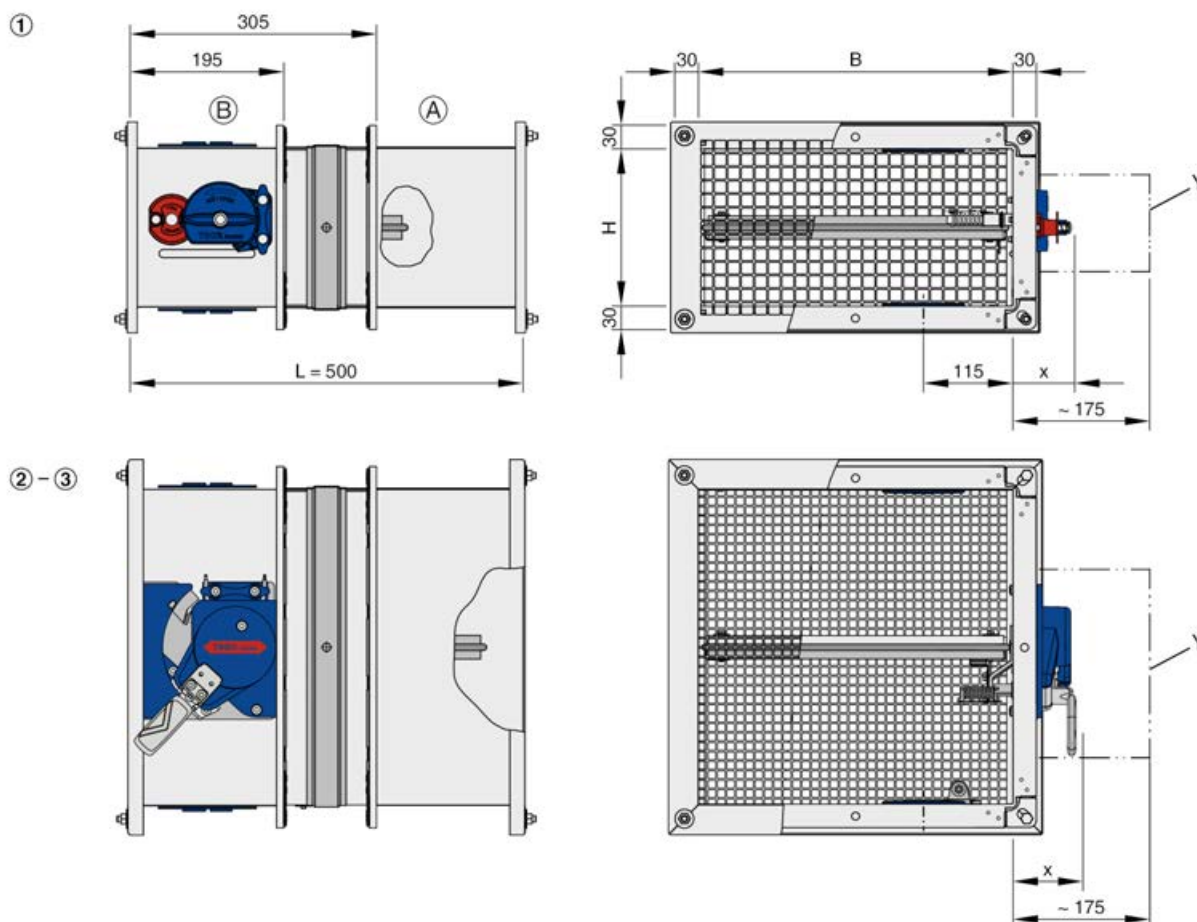


Fig. 8: FKA2-EU with fusible link and cover grille as air transfer unit

B	Width of the fire damper (side B)	x	75 mm size 1
H	Height of the fire damper (side H)		87 mm sizes 2 and 3
FL	Length of the fire damper (casing length)	(A)	Installation side
Y	Keep clear to provide access for operation	(B)	Operating side

- Sizes 1 to 3, see table ↗ 10 .

Note: Air transfer units may require a building inspectorate licence. This has to be determined and applied for on a case to case basis (by others).

2.6 FKA2-EU with spring return actuator and duct smoke detector as air transfer damper

Dimensions and weight

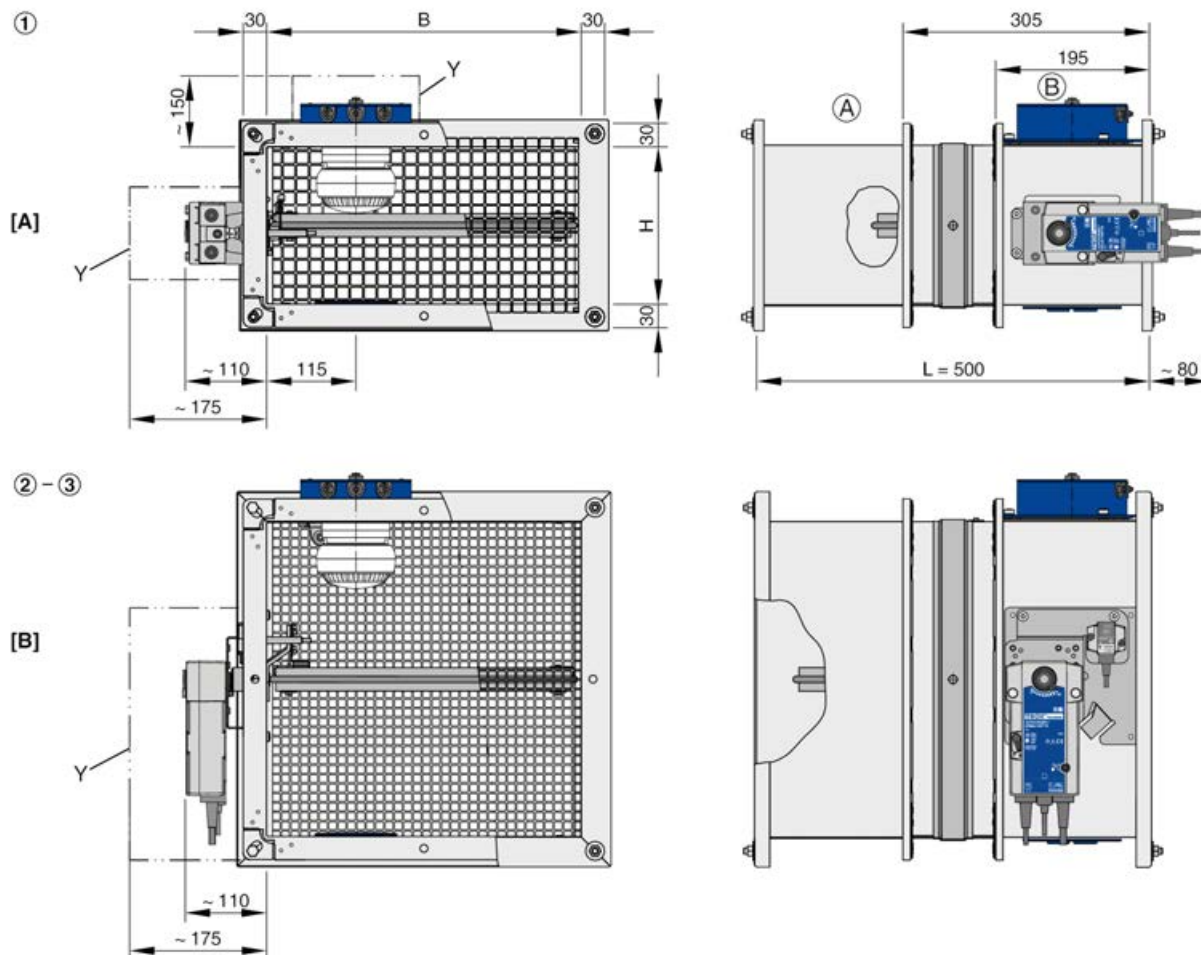


Fig. 9: FKA2-EU with spring return actuator and duct smoke detector as air transfer damper

BB	Width of the fire damper (side B)	[B]	Spring return actuator vertical
H	Height of the fire damper (side H)	Y	Keep clear to provide access for operation
L	Length of the fire damper (casing length)	(A)	Installation side
[A]	Spring return actuator horizontal	(B)	Operating side

FKA2-EU with spring return actuator and duct smo...

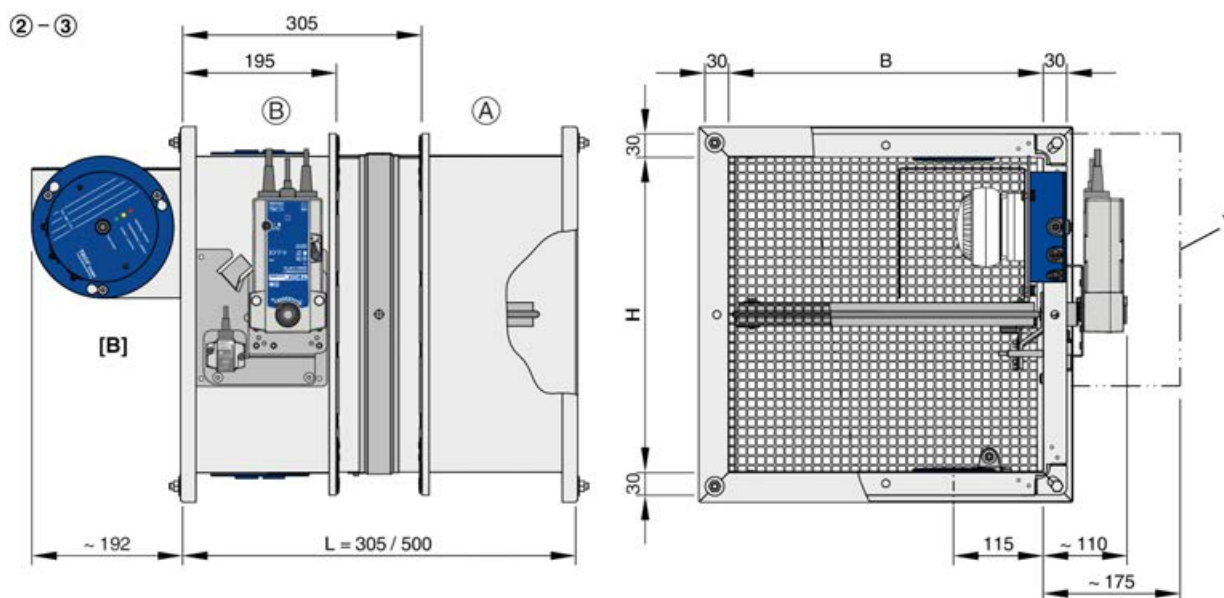


Fig. 10: FKA2-EU with spring return actuator and duct smoke detector as air transfer damper – variant with bracket on the drive side, top right (shown for sizes 2 and 3)

BB	Width of the fire damper (side B)	[B]	Spring return actuator vertical
H	Height of the fire damper (side H)	Y	Keep clear to provide access for operation
L	Length of the fire damper (casing length)	(A)	Installation side
[A]	Spring return actuator horizontal	(B)	Operating side

- For technical data of the spring return actuator see table 13 and 15
- For sizes 1 to 3 and orientation of the spring return actuator [A] or [B] see table 10.
- Install duct smoke detector RM-O-3-D in the lower inspection access, and at the top when installing the fire damper. For technical details of the duct smoke detector see the RM-O-3-D operating and installation manual. The variant with bracket is intended for installation just below the ceiling. In this case the duct smoke detector is to be fitted at the top right, left or centrally in front of the cover grille. It can be mounted on the drive side or on the non-drive side.

Note: Air transfer dampers may require a building inspectorate licence. This has to be determined and applied for on a case to case basis (by others).

3 Supply package, transport and storage

Supply package

If attachments and accessories are supplied from the factory with the fire dampers, they are already taken into account in the order code.

Depending on the installation situation, supplementary materials for assembly and fixing may be needed to ensure proper installation, e.g. mortar, screws, mineral wool, etc.

Such materials are not included in the supply package, unless they are expressly described as included in the supply package.

The selection of additional attachments or accessories as well as the identification and provision of materials for assembly and fixing is the responsibility of those involved in the building project and must be done taking into account the required classification.

Delivery check

Check delivered items immediately after arrival for transport damage and completeness. In case of any damage or an incomplete shipment, contact the shipping company and your supplier immediately.

- Fire damper
 - Attachments/accessories, if any
- Operating manual (1 per shipment)



Colour hues on the damper blade

The blades of fire dampers are treated with a greenish impregnating agent. Resulting colour hues on the damper blade are due to technical reasons and do not constitute a defect of any kind.

Transport on site

If possible, take the product in its transport packaging up to the installation location.

Bearing

For temporary storage please note:

- Remove any plastic wrapping.
- Protect the product from dust and contamination.
- Store the product in a dry place and away from direct sunlight.
- Do not expose the unit to the effects of weather (not even in its packaging).
- Do not store the product below -40 °C or above 50 °C.

Packaging

Properly dispose of packaging material.

4 Installation

4.1 Installation situations

i Note

The performance classes of the fire damper and the wall or ceiling slab may differ. The lower performance class determines the performance class of the overall system.

Installation situations						
Supporting construction	Installation location	Minimum thickness [mm]	Class of performance EI TT (v _e -h _o , i ↔ o) S up to	Installation type/casing length L [mm]		Chapter
				305 ¹	500	
Solid walls	in	100	EI 120 S	N	N	☞ 41
		100	EI 90 S	N	N	☞ 41
		80 ²	EI 90 S	N	N	☞ 41
	in, combined installation	100	EI 90 S	N	N	*
	in, multiple installation	100	EI 90 S	N	N	*
	in, multiple installation Common duct	100	EI 120 S	–	N	*
		100	EI 90 S	–	N	*
	in, partly with mineral wool	100	EI 90 S	N	N	*
	on the face of, installation kit WA	100	EI 90 S	–	E	*
	remote from, wall attachment, Installation kit WE	100	EI 90 S	–	E	*
	remote from, wall penetration, Installation kit WE	100	EI 90 S	–	E	*
	remote from, wall penetration, Installation kit WE 120	100	EI 120 S	–	E	*
	in, fire batt	100	EI 120 S	W	W	*
		100	EI 90 S	W	W	*
	in, fire batt, multiple installation	100	EI 90 S	W	W	*
Metal stud walls	in	94	EI 120 S	N	N	*
		94	EI 90 S	N	N	*
		94	EI 60 S	N	N	*
		94	EI 30 S	N	N	*
	in, combined installation	94	EI 90 S	N	N	*
	in, multiple installation	94	EI 90 S	N	N	*
	in, multiple installation,	94	EI 120 S	–	N	*

¹⁾ An extension piece may be required

²⁾ Gypsum wallboard to EN 12859

³⁾ Thickness increased near the installation opening

* see the complete operating and installation manual at www.trox-docs.com

N = Mortar-based installation
E = Installation kit
W = Fire batt
E = Dry mortarless installation

Installation situations							
Supporting construction	Installation location	Minimum thickness [mm]	Class of performance EI TT (v _e -h _o , i ↔ o) S up to	Installation type/casing length L [mm]		Chapter	
				305 ¹	500		
	Common duct	94	EI 90 S	–	N	*	
	in, installation kit ES	94	EI 120 S	–	E	⌘ 49	
		94	EI 90 S	–	E	⌘ 49	
		94	EI 60 S	–	E	⌘ 49	
		94	EI 30 S	–	E	⌘ 49	
	in, with mineral wool	94	EI 60 S	–	T	*	
	in, with fire-rated gypsum board or plasterboard strips	94	EI 90 S	–	T	*	
	remote from, wall penetration, Installation kit WE	94	EI 90 S	–	E	*	
	in, fire batt	94	EI 120 S	W	W	⌘ 52	
		94	EI 90 S	W	W	⌘ 52	
		80	EI 60 S	W	W	⌘ 52	
		75	EI 30 S	W	W	⌘ 52	
	in, fire batt, Multiple installation	94	EI 90 S	W	W	*	
	Timber stud walls	in	130	EI 120 S	N	N	*
			130	EI 90 S	N	N	*
110			EI 60 S	N	N	*	
105			EI 30 S	N	N	*	
in, multiple installation		130	EI 90 S	N	N	*	
in, multiple installation, Common duct		130	EI 90 S	–	N	*	
in, installation kit ES		130	EI 120 S	–	E	*	
		130	EI 90 S	–	E	*	
		110	EI 60 S	–	E	*	
		105	EI 30 S	–	E	*	
in, with mineral wool		130	EI 60 S	–	T	*	
in, fire batt		130	EI 120 S	W	W	*	
		130	EI 90 S	W	W	*	
		110	EI 60 S	W	W	*	
		105	EI 30 S	W	W	*	
in, fire batt, Multiple installation	130	EI 90 S	W	W	*		

¹⁾ An extension piece may be required

²⁾ Gypsum wallboard to EN 12859

³⁾ Thickness increased near the installation opening

* see the complete operating and installation manual at www.trox-docs.com

N = Mortar-based installation

E = Installation kit

W = Fire batt

E = Dry mortarless installation

Installation situations						
Supporting construction	Installation location	Minimum thickness [mm]	Class of performance EI TT (v _e -h _o , i ↔ o) S up to	Installation type/casing length L [mm]		Chapter
				305 ¹	500	
Half-timbered constructions	in	140	EI 120 S	N	N	*
		140	EI 90 S	N	N	*
		110	EI 30 S	N	N	*
	in, multiple installation	140	EI 90 S	N	N	*
	in, multiple installation, Common duct	140	EI 90 S	–	N	*
	in, installation kit ES	140	EI 120 S	–	E	*
		140	EI 90 S	–	E	*
		110	EI 30 S	–	E	*
	in, with mineral wool	140	EI 60 S	–	T	*
	in, fire batt	140	EI 120 S	W	W	*
		140	EI 90 S	W	W	*
		110	EI 30 S	W	W	*
	in, fire batt, Multiple installation	140	EI 90 S	W	W	*
	Solid wood / CLT walls	in	95	EI 90 S	N	N
in, installation kit ES		95	EI 90 S	–	E	*
in, with mineral wool		95	EI 60 S	–	T	*
in, fire batt		95	EI 90 S	W	W	*
Shaft wall with metal support structure	in	90	EI 90 S	N	N	*
		80	EI 90 S	N	N	*
		75	EI 30 S	N	N	*
	in, combined installation	90	EI 90 S	N	N	*
	in, installation kit ES	90	EI 90 S	–	E	*
		80	EI 90 S	–	E	*
		75	EI 30 S	–	E	*
Shaft wall without metal support structure	in, installation kit ES	40	EI 90 S	–	E	*
Solid ceiling slabs	in	100 (125) ³	EI 120 S	N	N	*
	in, combined installation	150	EI 90 S	N	N	*
	in, multiple installation	100 (125) ³	EI 90 S	N	N	*
	in, concrete base	100	EI 120 S	N	N	*

¹⁾ An extension piece may be required

²⁾ Gypsum wallboard to EN 12859

³⁾ Thickness increased near the installation opening

* see the complete operating and installation manual at www.trox-docs.com

N = Mortar-based installation

E = Installation kit

W = Fire batt

E = Dry mortarless installation

Installation situations						
Supporting construction	Installation location	Minimum thickness [mm]	Class of performance EI TT (v _e -h _o , i ↔ o) S up to	Installation type/casing length L [mm]		Chapter
				305 ¹	500	
	in, concrete base, Combined installation	100	EI 90 S	N	N	*
	in, with concrete base, Multiple installation	100	EI 90 S	N	N	*
	in, combined with wooden beam ceilings	125	EI 90 S	N	N	*
	in, combined with solid wood ceiling	125	EI 90 S	N	N	*
	on the face of, installation kit WA	125	EI 90 S	–	E	*
	underneath (horizontal duct), installation kit WE	125	EI 90 S	–	E	*
	above (horizontal duct), installation kit WE	125	EI 90 S	–	E	*
	in, fire batt	150	EI 120 S	W	W	*
		100	EI 90 S	W	W	*
in, fire batt, Multiple installation	150	EI 90 S	W	W	*	
Solid wood ceilings	in	140	EI 90 S	N	N	*
	in, with additional cladding	112.5	EI 90 S	N	N	*
	in, installation kit ES	140	EI 90 S	–	E	*
	in, installation kit ES, with additional cladding	112.5	EI 90 S	–	E	*
Wooden beam ceilings	in	167.5	EI 90 S	N	N	*
		155	EI 60 S	N	N	*
		142.5	EI 30 S	N	N	*
	in, installation kit ES	167.5	EI 90 S	–	E	*
		155	EI 60 S	–	E	*
		142.5	EI 30 S	–	E	*

¹) An extension piece may be required

²) Gypsum wallboard to EN 12859

³) Thickness increased near the installation opening

* see the complete operating and installation manual at www.trox-docs.com

N = Mortar-based installation

E = Installation kit

W = Fire batt

E = Dry mortarless installation

4.2 Safety notes regarding installation

Sharp edges, sharp corners and thin sheet metal parts

⚠ CAUTION!

Danger of injury from sharp edges, sharp corners and thin sheet metal parts!

Sharp edges, sharp corners and thin sheet metal parts may cause cuts or grazes.

- Be careful when carrying out any work.
- Wear protective gloves, safety shoes and a hard hat.

4.3 General installation information

! NOTICE!

Risk of damage to the fire damper

- Protect the fire damper from contamination and damage.
- Cover openings and release mechanism (e.g. with plastic) to protect them from mortar and dripping water.
- Do not remove the transport and installation protection (if any) until installation is complete.

- Control elements, electric actuator and inspection access panel must remain accessible for maintenance.
- Loads imposed on the casing may impair the function of the fire damper. Install and connect the damper in such a way that no loads will be imposed on the installed damper. Ducts of combustible or non-combustible materials may be connected to fire dampers if the ducts have been installed straight and without any torsion.
- Before installation: Perform a functional test, then close the fire damper ☞ 61.
- Do NOT remove the product sticker or the adhesive tape in the installation opening.
- Protect the fire damper from humidity and condensation as they will damage the fire damper.
- The construction variants with stainless steel or powder-coated casing and additionally with an impregnated damper blade meet more critical requirements for corrosion protection.
- If the wall or ceiling is very thick, use an extension piece.
- Ensure that the installation of FKA2-EU does not reduce the structural safety of the supporting wall or ceiling, not even in the event of a fire.
- The following applies unless stated otherwise in the installation details:

- Each fire damper is to be installed in its own installation opening. Distance between two fire dampers ≥ 200 mm.
- Distance to load-bearing structural elements ≥ 75 mm.
- No more than two fire dampers in the same installation opening.
- With mortar-based installation, fire dampers can be installed at ≥ 40 mm from steel girders, wooden beams or wooden ceilings with fire-rated cladding. The fire-resistant cladding must be manufactured in accordance with a national or European certificate and must have full surface contact (no cavities) with the supporting structure.

- If several fire dampers are used on the same duct, the following has to be ensured: If one damper closes, the maximum permitted upstream velocity for the other fire dampers that remain open must not be exceeded. This has to be ensured by others; it can be ensured, for example, by switching off the fan or by using actuators with limit switches that ensure that not too many dampers close at the same time.

- As ducts may expand and walls may become deformed in the event of a fire, we recommend using flexible connectors for the following installation situations:

- Lightweight partition walls
- Lightweight shaft walls
- Fire batt systems

The flexible connectors should be installed in such a way that they absorb both tension and compression. Flexible ducts can be used as an alternative.

Ducting must be installed in such a way that it does not impose any significant loads on the fire damper in the event of a fire. This can be achieved by a non-straight duct, i.e. by bends or elbows, for example. Be sure to comply with the relevant national guidelines and regulations.

- The interior of the fire damper must be accessible for maintenance work and cleaning. Type FKA2-EU fire dampers actually have two inspection accesses. Depending on the installation configuration it may be necessary to provide additional inspection access points in the connecting ducts.
- Load-bearing structures
This includes solid ceiling slabs, concrete beams and load-bearing solid walls.
- Distance from fire-rated partitions
The minimum distances between a partition and other openings or installations, e.g. fire dampers, are usually given in the usability certificates of each partition. There must be no partition next to a fire damper installation (installation into a separate installation opening).

After installation

- Clean the fire damper.
- Remove transport and installation protection or the prop, if any. In case of mortar-based installation this protection must not be removed until the mortar has hardened.
- Test the function of the fire damper.
- Connect the ductwork.
- Make electrical connections.

Equipotential bonding

The flange of the fire damper can be used for equipotential bonding; no holes must be drilled into the damper casing.

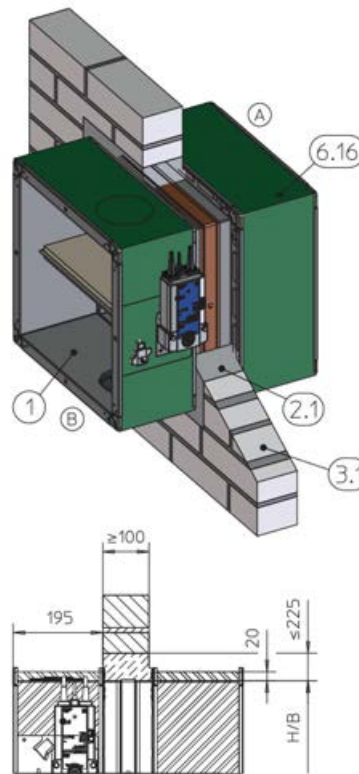
In the event of a fire, loads from the equipotential bonding must not affect the fire damper.

Thermal insulation

As suitable insulating materials, especially for outdoor air or exhaust air components, you can use fully bonded panels made of elastomer foams (synthetic rubber), e.g. Armaflex Ultima from Armacell. Be sure to comply with the relevant national guidelines and regulations for combustible building materials and smoke development classes.

Insulation is non-hazardous in terms of fire safety if the following requirements are met:

- The insulation does not impair the function of the fire damper.
- The fire damper remains accessible.
- The inspection accesses remain accessible.
- The insulation does not penetrate walls or ceilings.



GR3418952, D

Fig. 11: Thermal insulation

- 1 FKA2-EU
- 2.1 Mortar
- 3.1 Solid wall
- 6.16 Perimeter insulation (elastomer foam, flame-resistant, non-dripping); actuator and release mechanism, inspection accesses and product sticker must be accessible

Note: The installation situation shown applies to all supporting constructions.

Extension pieces

To ensure that the fire damper can be connected to the ductwork after installation even if the wall or ceiling is fairly thick, you should extend the fire damper with a suitable extension piece (attachment or by others) on the installation side.

Installation positions

The fire damper may be installed so that the damper blade shaft is horizontal or vertical. The position of the release mechanism is not critical but the mechanism must remain accessible for maintenance (take application-specific restrictions into account).

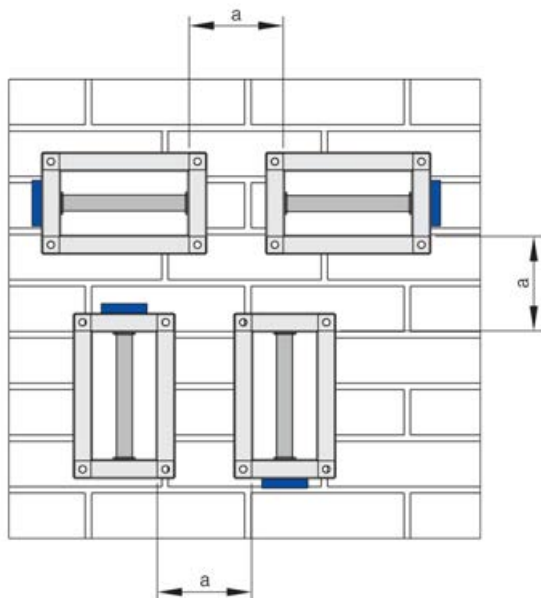


Fig. 12: Blade shaft horizontal or vertical

- a Minimum distance between two fire dampers. Each fire damper is to be installed in its own installation opening unless stated otherwise in the installation details. Distance between two fire dampers ≥ 200 mm.

If the fire damper with a duct smoke detector is used in a ventilation system, it must be installed horizontally, with the duct smoke detector at the top.

You may choose a different arrangement as long as you comply with the general building inspectorate licence for the duct smoke detector.

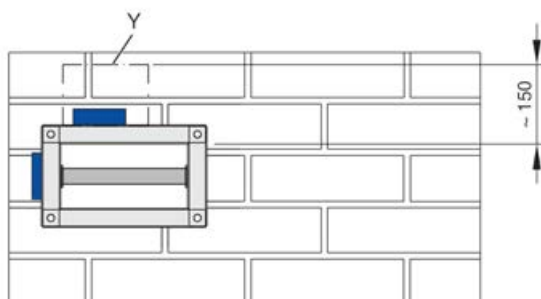


Fig. 13: Horizontal installation

- Y Keep clear for operation and maintenance

Distances

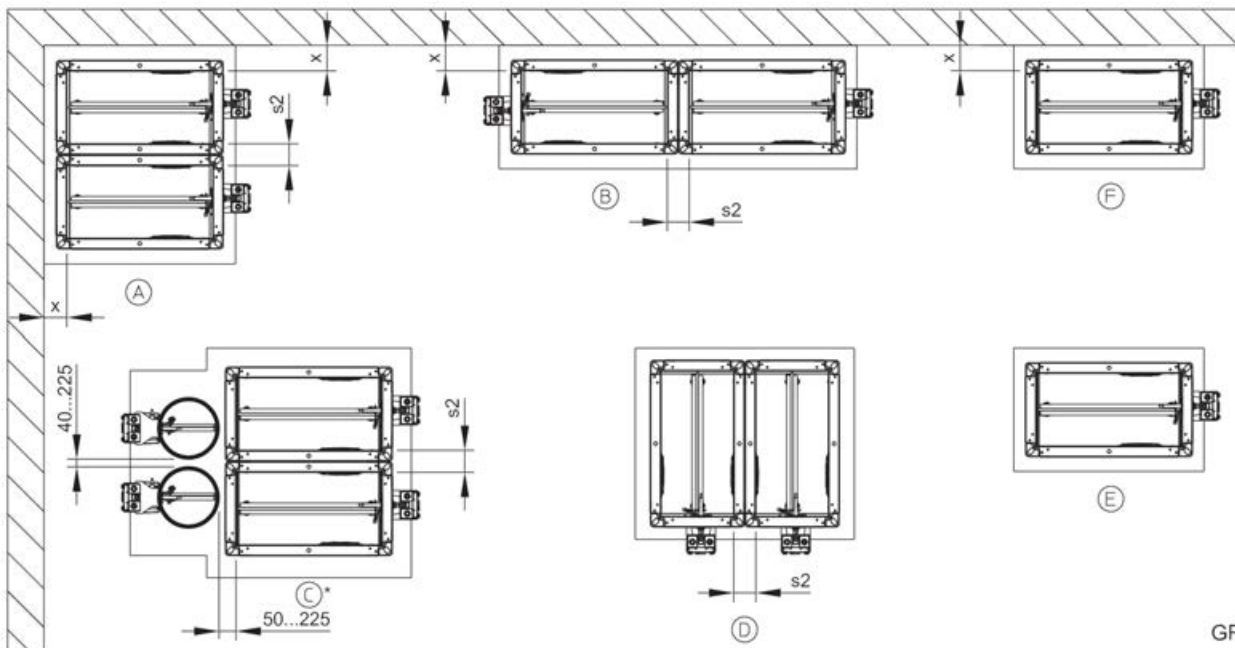


Fig. 14: Distances

* Combined installation with fire damper FKRS-EU

Distances (unless stated otherwise in the installation details)

Installation type	x [mm]	s2 [mm]
Mortar-based installation	40 – 225	60 ³ – 225
Fire batt installation	40 – 600	60 – 600 ^{2,3} / ≥ 200 ²
Partial mortaring ¹	~ 50	60 ³ – 225

¹ Solid wall only

² Depending on supporting structure

³ if L = 500 mm.

If L = 305 mm and installation of dampers on top of each other, the distance has to be 75 – 225 mm (mortar-based installation) or 75 – 600 mm (fire batt installation).

Perimeter gap s1: ≤ 225 mm with mortar-based installation, 40 – 600 mm with fire batt installation.

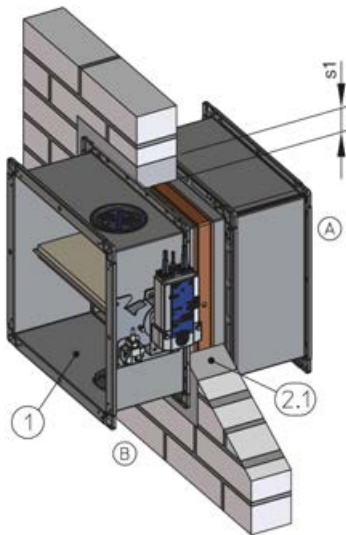
Installation orientation (see installation details for fire resistance)

Supporting construction	Installation type		
	Mortar-based installation	Dry mortarless installation	Fire batt installation
Solid wall	A – F		A, B, D – F
Gypsum wallboard with W = 80 – < 100 mm	E, F		
Lightweight partition wall with metal support structure	A – F	E, F	A, B, D – F
Timber stud wall or half-timbered construction	A – F	E, F	A, B, D – F
Solid wood wall / CLT wall	E, F	E, F	E, F

Supporting construction	Installation type		
	Mortar-based installation	Dry mortarless installation	Fire batt installation
Shaft wall with metal support structure	A – F	E, F	
Shaft wall without metal support structure		E, F	
Solid ceiling slab	A – F		A, B, D – F
In / combined with a solid wood ceiling	E, F / A, B, D – F	E / –	
In / combined with a wooden beam ceiling	E, F / A, B, D – F	E / –	

Perimeter gap »s1«

- With mortar-based installation the perimeter gap s1 must not exceed 225 mm (wall and ceiling). The perimeter gap »s1« must be large enough so that mortar can be filled in even in case of thicker walls or ceilings. Be sure to close larger wall openings or holes beforehand and in a suitable way, i.e. depending on the type of wall. In case of larger openings in solid ceiling slabs, the dampers can be concreted in as the ceiling is being constructed. The gap must be large enough so that mortar can be filled in. We recommend a gap of at least 20 mm (note the minimum installation opening size). Reinforcement should meet structural requirements.



GR3476383, A

Fig. 15: Perimeter gap

- 1 FKA2-EU
- 2.1 Mortar
- s1 Perimeter gap

Maximum gap widths are based on EN 15882-2. Larger gaps do not have an adverse effect with regard to fire protection and are in our opinion not critical.

Mortar-based installation

- Cover all openings and control elements of the fire damper (e.g. with plastic) to protect them from contamination.
- In case of mortar-based installation it may be necessary to protect the sides of the fire damper casing against deformation, e.g. with a prop.
- Position the fire damper in the centre of the installation opening, then push it in so that the distance between the operating side flange and the wall or ceiling is 195 mm; secure the fire damper in this position. Connect extension piece, if required, or duct.
- In case of mortar-based installation, the open spaces between the fire damper casing and the wall or ceiling slab must be closed off with mortar. Entrapped air is to be avoided. The mortar bed depth should be equal to the thickness of the wall but must be at least 100 mm.
- If you install the fire damper as the solid wall or ceiling slab is being completed, perimeter gap »s1« is not required. The open spaces between the fire damper and the wall must be closed off with mortar; for installation into solid ceiling slabs, use concrete. Reinforcement should meet structural requirements.
- The mortar bed depth should be equal to the thickness of the wall. If trim panels with appropriate fire resistance are used, a mortar bed depth of 100 mm suffices.

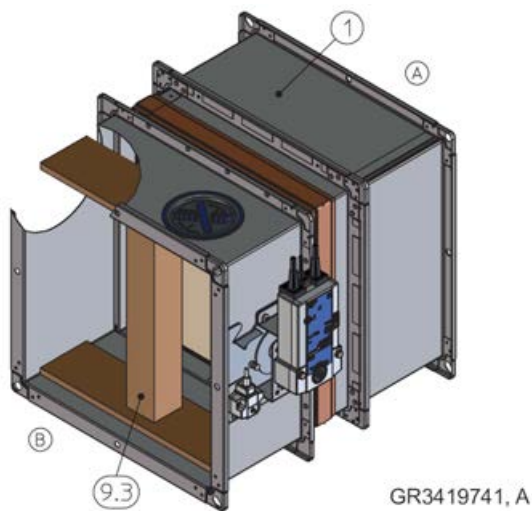


Fig. 16: FKA2-EU with prop

- 1 FKA2-EU
- 9.3 Prop

Mortar

- DIN 1053: Groups II, IIa, III, IIIa; fire protection mortar of groups II, III
- EN 998-2: Classes M 2.5 to M 20 or fire protection mortar of classes M 2.5 to M 20
- Equivalent mortars that meet the requirements of the above standards, gypsum mortar or concrete

Mineral wool as filling material

Unless otherwise stated in the installation details, mineral wool with a gross density of $\geq 80 \text{ kg/m}^3$ and a melting point of $\geq 1000 \text{ }^\circ\text{C}$ must be used.

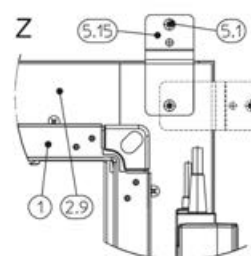
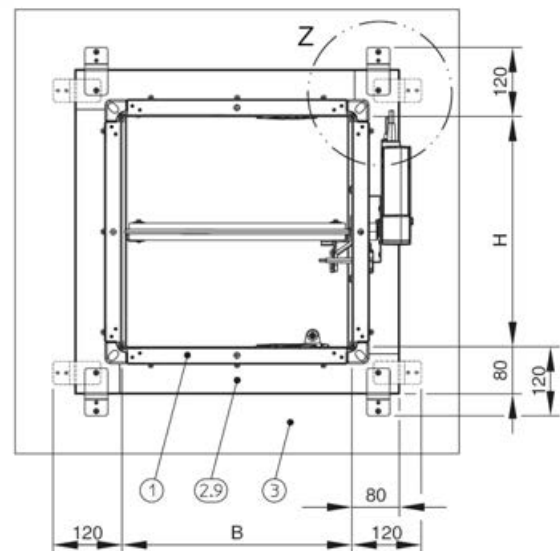
Fire-resistant cladding

When you use installation kit WE, the following materials are acceptable for the cladding of fire dampers and ducts:

- Promatect® LS35 (d = 35 mm)
- Promatect® L500 (d = 40 mm)
- Promatect® AD40 (d = 40 mm)

Installation with installation kit ES

- Casing length L = 500 mm
- The installation kit has to be attached to the fire damper (by others).
- Enough clear space is required for mounting the installation kit onto the fire damper.
- Use dry wall screws $\varnothing 5.5 \text{ mm}$ and brackets to fix the installation kit ES; make sure that the dry wall screws are long enough so that they can be firmly fastened to the studs. The dry wall screws must be long enough so that the damper can be firmly fastened. The holes for the fixing screws on side B are made in the factory.
- For installation near the floor or ceiling, professionally shorten the cover plate on the installation kit on one side. Then use the brackets that were previously on sides B and fix them in the upper parts of sides H (see installation details). Pre-drill the holes $\varnothing 4 \text{ mm}$.



GR3513999, A

Fig. 17: Installation kit – clear space, normal installation

- 1 FKA2-EU
- 2.9 Installation kit ES
- 3 Wall
- 5.1 Dry wall screw (by others)
- 5.15 Bracket

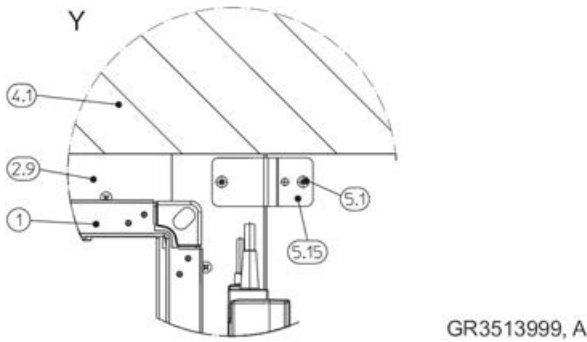
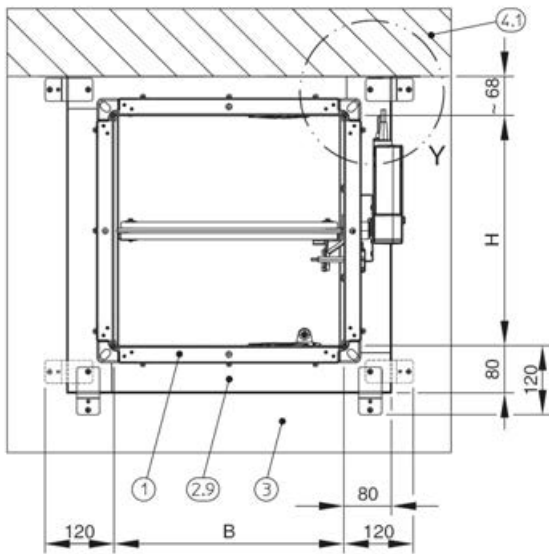


Fig. 18: Installation kit – clear space, for installation near the floor or ceiling

- 1 FKA2-EU
- 2.9 Installation kit ES (cover plate shortened by others)
- 3 Wall
- 4.1 Solid ceiling slab / solid floor
- 5.1 Dry wall screw (by others)
- 5.15 Bracket

GR3513999, A

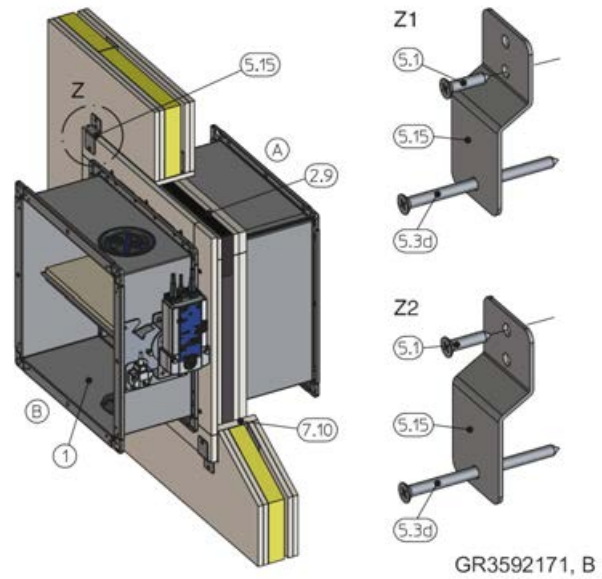


Fig. 19: Fastening the installation kit to the metal studs

- 1 FKA2-EU
- 2.9 Installation kit ES
- 5.1 Dry wall screw (by others)
- 5.3d Chipboard screw 5 × 50 mm (up to $B \leq 800$ mm, 4 screws; if $B > 800$ mm, 8 screws)
- 5.15 Bracket (up to $B \leq 800$ mm, 4 brackets; if $B > 800$ mm, 8 brackets)
- 7.10 Trim panels
- Z1 Fastening – without trim panel or with single-layer trim panel
- Z2 Fastening – with double-layer trim panels
- A Installation side
- B Operating side

GR3592171, B

Installation on the face of solid walls and ceiling slabs with installation kit WA

- Casing length $L = 500$ mm
- The installation kit has to be attached to the fire damper (by others).
- Enough clear space is required to mount the installation kit onto the fire damper, at least 150 mm around the perimeter. Cladding and wall/ceiling attachment are required on all 4 sides.
- Attach (flange) the fire damper to a sheet steel duct that has been shortened and is flush with the wall or ceiling.
- Alternatively, attach the fire damper with the wall face frame to a cut hole or to a circular duct that has been shortened so as to be flush with the wall. The movement of the damper blade must not be impaired.
- Use fire-rated steel anchors with suitability certificate to fix the wall face frame to the wall/ceiling (on a cut hole or circular duct) and also to fix the cladding; push through installation is also possible.
- For more installation details see the various installation situations.

Installation remote from walls and ceilings with installation kit WE

- Casing length $L = 500$ mm
- The installation kit has to be attached to the fire damper (by others).
- Attach the fire damper to sheet steel ducts with fire-resistant cladding and without any openings.
- Wall or ceiling attachment, wall or ceiling penetration, suspension of the fire damper and attachment of the cladding to the installation kit have to be carried out as described in this manual. Suspension and cladding of the duct, including fittings, have to be carried out according to Promat® specifications.
- Cladding and wall/ceiling attachment are required on all 4 sides. Enough clear space is required, at least 155 mm around the perimeter.
- Fire dampers installed remote from walls and ceilings need to be suspended or fixed, see ↪ *Chapter 4.6.2 'Suspending fire dampers installed remote from solid walls and ceiling slabs' on page 57*.
- Suspension systems with $L \geq 1.5$ m require fire-resistant insulation. Use cladding or mineral wool insulation according to the manufacturer's specifications.
- For more information on installation and components to be provided by others see the descriptions of the various installation situations and the Promat manual.
- No installation remote from walls with flexible ceiling joint

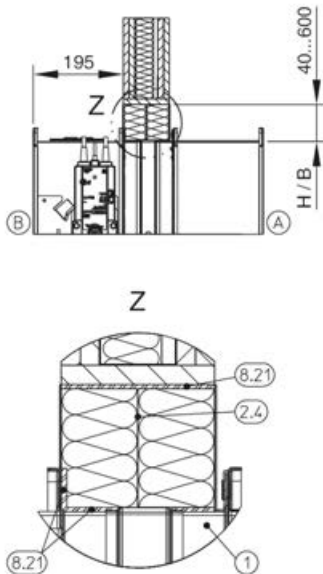
Installation remote from walls and ceilings with installation kit WE 120

- Casing length $L = 500$ mm
- The installation kit has to be assembled and attached to the fire damper (by others).
- Attach the fire damper to sheet steel ducts with PAROC® mineral wool insulation and without any openings.
- Wall attachment, wall penetration, suspension of the fire damper and attachment of the mineral wool insulation to the installation kit have to be carried out as described in this manual. Attaching the mineral wool insulation to the duct, including fittings, has to be carried out as described in this manual and also according to PAROC® specifications.
- Mineral wool insulation and wall attachment are required on all 4 sides. Enough clear space is required, at least 180 mm around the perimeter.
- Fire dampers installed remote from walls and ceilings need to be suspended or fixed, see ↪ *Chapter 4.6 'Fixing the fire damper' on page 56* ↪ *4.6.3 'Fixing the damper when a fire batt is used' on page 58*.
- Suspension systems with $L \geq 1.5$ m require fire-resistant insulation. Use cladding or mineral wool insulation according to the manufacturer's specifications.
- No installation remote from walls with flexible ceiling joint

General installation information

Installation with fire batt

- The distance from the operating side flange to the wall has to be 195 mm.
- Fire batt systems consist of two layers of mineral wool slabs, gross density $\geq 140 \text{ kg/m}^3$.
- Apply fire-resistant sealant to the cut faces of the mineral wool slabs and fit them tightly into the installation opening. Seal any gaps between the mineral wool slabs and the installation opening, gaps between the cut faces of cut-to-size pieces, and gaps between slabs and the fire damper by applying fire-resistant sealant or coating. Use only sealant or coating that is suitable for the fire batt system.
- Apply ablative coating to the mineral wool slabs, joints, transitions and any imperfections on the coated mineral wool slabs; coating thickness $\geq 2.5 \text{ mm}$.
- Do not use a fire batt in combination with a flexible ceiling joint.
- Fix fire dampers on both sides of the wall.
- If the ceiling is fairly thick, you may use additional layers of mineral wool slabs on side A.



GR3386448, B

Fig. 20: Fire-resistant sealant

- 1 FKA2-EU
- 2.4 Coated board system
- 8.21 Firestop sealant
- A Installation side
- B Operating side

Fire batt systems

The following fire batt systems are acceptable (fire batt systems have to be provided by others). As for mineral wool slabs, all slabs that are part of the system and have been approved by the manufacturer may be used.

Promat®

- Ablative coating Promastop®-CC
- Ablative coating Promastop®-I
- Ablative coating Intumex-CSP
- Ablative coating Intumex-AC

Hilti

- Ablative coating CFS-CT
- Ablative coating CP 673
- Fire-resistant sealant CFS-S ACR

HENSEL

- Ablative coating HENSOMASTIK® 5 KS Farbe
- Fire-resistant sealant HENSOMASTIK® 5 KS Spachtel

SVT

- Ablative coating PYRO-SAFE FLAMMOTECT-A Farbe
- Fire-resistant sealant PYRO-SAFE FLAMMOTECT-A Spachtel

OBO Bettermann

- Ablative coating PYROCOAT® ASX Farbe
- Fire-resistant sealant PYROCOAT® ASX Spachtel

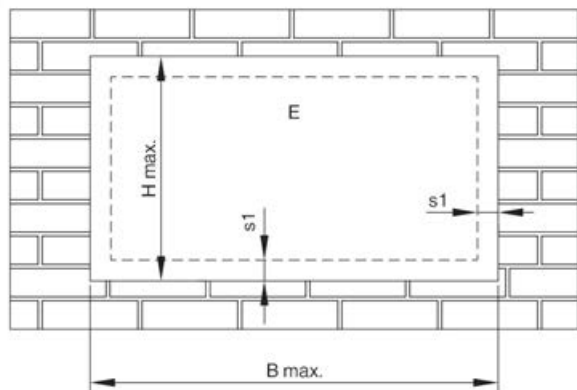
Würth

- Ablative coating Würth Ablationsbeschichtung I ('Ablation coating I')

AGI

- Ablative coating PYRO-SAFE Flammotect Combi S90
- Fire-resistant sealant AGI Flammotect COMBI S90

Dimensions and distances for fire batt systems for wall installation



GR3420162, D

Fig. 21: Fire batt – installation in solid walls and ceiling slabs, lightweight partition, timber stud wall, half-timbered construction and solid wood walls

E Installation area

Coated board system	B max. [mm]	H max. [mm]
Promat®	≤ 3750	≤ 1840
Hilti	≤ 3000	≤ 2115
Hensel	≤ 1900	≤ 1400
SVT		
OBO Bettermann		
Würth		
AGI		

Damper combination up to EI 90 S	s1 min. [mm]	s1 max. [mm]
FKA2-EU	40	600

Requirements for wall and ceiling systems

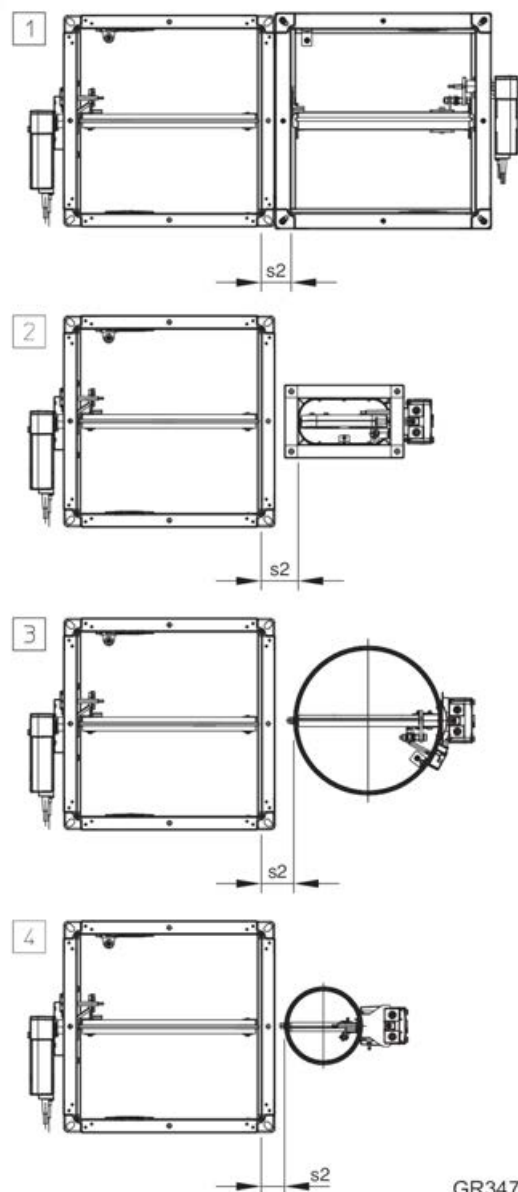
FKA2-EU fire dampers may be installed in wall and ceiling systems if these walls and ceilings have been erected in compliance with the relevant regulations, and if the information on the respective installation situation applies and the following requirements are met.

Provide any installation openings according to the installation details in this manual.

The structural safety of the wall/ceiling must be ensured (by others). Compensation measures, especially with regard to large installation openings, must be determined on a case to case basis (by others).

Solid walls

- Solid walls or compartment walls made of, for example, concrete, aerated concrete, masonry or solid gypsum wallboard to EN 12859, (without cavities), gross density ≥ 350 kg/m³.
- Wall thickness $W \geq 100$ mm.
- Provide each installation opening and cut hole according to the local and structural conditions and with regard to the size of the fire damper.
- Cavities, e.g. in hollow concrete blocks or created in the supporting structure as a consequence of wall penetrations or cutting holes, must be filled before the installation of the fire damper so that the fire resistance of the supporting structure is restored.



GR3475948, B

Fig. 22: Distance between FKA2-EU and other TROX fire dampers in mortar-based installation

Distance between different TROX fire dampers – mortar-based installation into solid walls (one installation opening)

No.	Damper combination up to EI 90 S	s2 [mm]
1	FKA2-EU – FK-EU	65 – 225
2	FKA2-EU – FKS-EU	80 – 150
3	FKA2-EU – FKR-EU	70 – 120 (80 – 120, flange construction)
4	FKA2-EU – FKRS-EU	50 – 225

Gypsum wallboard

- Gypsum wallboard according to EN 12859 (without cavities).
- Wallboard thickness $W \geq 80$ mm, if $W \geq 100$ mm see [🔗 on page 37](#).
- Provide each installation opening according to the local and structural conditions and with regard to the size of the fire damper.

Lightweight partition walls with metal support structure

- Lightweight partition walls, safety partition walls or walls to provide radiation protection, with metal support structure or steel support structure (box sections), with European classification to EN 13501-2 or equivalent national classification.
- Cladding on both sides made of gypsum bonded or cement bonded panel materials, fibre-reinforced gypsum or fire-rated calcium silicate boards.
- Wall thickness $W \geq 94$ mm, for compartment walls or safety partition walls $W \geq 100$ mm.
- Distance between metal studs ≤ 625 mm; distance between metal studs for compartment walls ≤ 312.5 mm.
- Compartment walls and safety partition walls may be provided with sheet steel inserts and may require less space between the metal studs.
- Create an installation opening with trimmers (studs and noggings).
- If necessary, provide trim panels and screw-fix them to the support structure
- Additional layers of cladding (if stated in the usability certificate for the wall) and double stud constructions are approved.
- Connect the metal sections near the installation opening according to the installation details in this manual.
- If reinforcing boards are required, screw-fix them to the metal support structure at intervals of approx. 100 mm.
- Installation only in non-load-bearing walls (load-bearing wall constructions on request).

Lightweight partition walls with timber support structure / half-timbered construction

- Lightweight partition walls, either timber stud walls or half-timbered constructions, with European classification to EN 13501-2 or equivalent national classification.
- ≤ 625 mm distance between timber studs; half-timbered constructions ≤ 1000 mm
- Cladding on both sides made of gypsum bonded or cement bonded panel materials, fibre-reinforced gypsum or fire-rated calcium silicate boards.
- Timber support structure, wall thickness $W \geq 130$ mm ($W \geq 110$ with F60, $W \geq 105$ with F30); half-timbered construction, wall thickness $W \geq 140$ mm ($W \geq 110$ with F30).
- Erect the timber stud wall or half-timbered construction according to the manufacturer's instructions.
- Additional layers of cladding (if stated in the usability certificate for the wall) and double stud constructions are approved.
- Create an opening in the timber support structure with studs and trimmers.
- Trim panels and reinforcing boards have to be made of cladding material and have to be fixed to the frame.

Solid wood walls

- Fire-resistant solid wood walls or cross laminated timber walls with European or national certificate.
- Wall thickness $W \geq 95$ mm (with reinforcing board $W \geq 100$ mm near the installation opening).
- If required, additional gypsum bonded or cement bonded panel materials or fibre-reinforced gypsum board are permitted.

Shaft walls with metal support structure

- Shaft walls or additional leaves with metal support structure or steel support structure (box sections), with European classification to EN 13501-2 or equivalent national classification.
- Cladding on one side made of gypsum bonded or cement bonded panel materials, fibre-reinforced gypsum or fire-rated calcium silicate boards.
- Wall thickness $W \geq 90$ mm ($W \geq 75$ with F30); cladding / reinforcing boards according to installation details.
- ≤ 625 mm distance between metal studs.
- Be sure to follow the manufacturers' instructions for the height, width and thickness of walls.
- Create an installation opening with trimmers (studs and noggings).
- If necessary, provide trim panels and screw-fix them to the support structure
- Installation with the actuator on the outside of the shaft.
- If reinforcing boards are required, screw-fix them to the metal support structure at intervals of approx. 100 mm.

Shaft walls without metal support structure

- Shaft walls without metal support structure, with European classification according to EN 13501-2 or equivalent national classification.
- Cladding on one side made of gypsum bonded or cement bonded panel materials, fibre-reinforced gypsum or fire-rated calcium silicate boards.
- Shaft wall between two solid walls, without corners
- Wall thickness $W \geq 40$ mm.
- If reinforcing boards are required, screw-fix them to the metal support structure at intervals of approx. 100 mm.

Solid ceiling slabs

- Solid ceiling slabs without open spaces, made of concrete or aerated concrete, gross density ≥ 450 kg/m³.
- Ceiling thickness $D \geq 100$ mm, thickness increased to $D \geq 125$ mm where required (unless stated otherwise in the installation details).
- Partial solid ceiling slab, thickness ≥ 125 mm when combined with a fire-resistant wooden beam ceiling (also glulam) or solid wood ceiling.
- Provide each installation opening according to the local and structural conditions and with regard to the size of the fire damper.

Solid wood ceilings

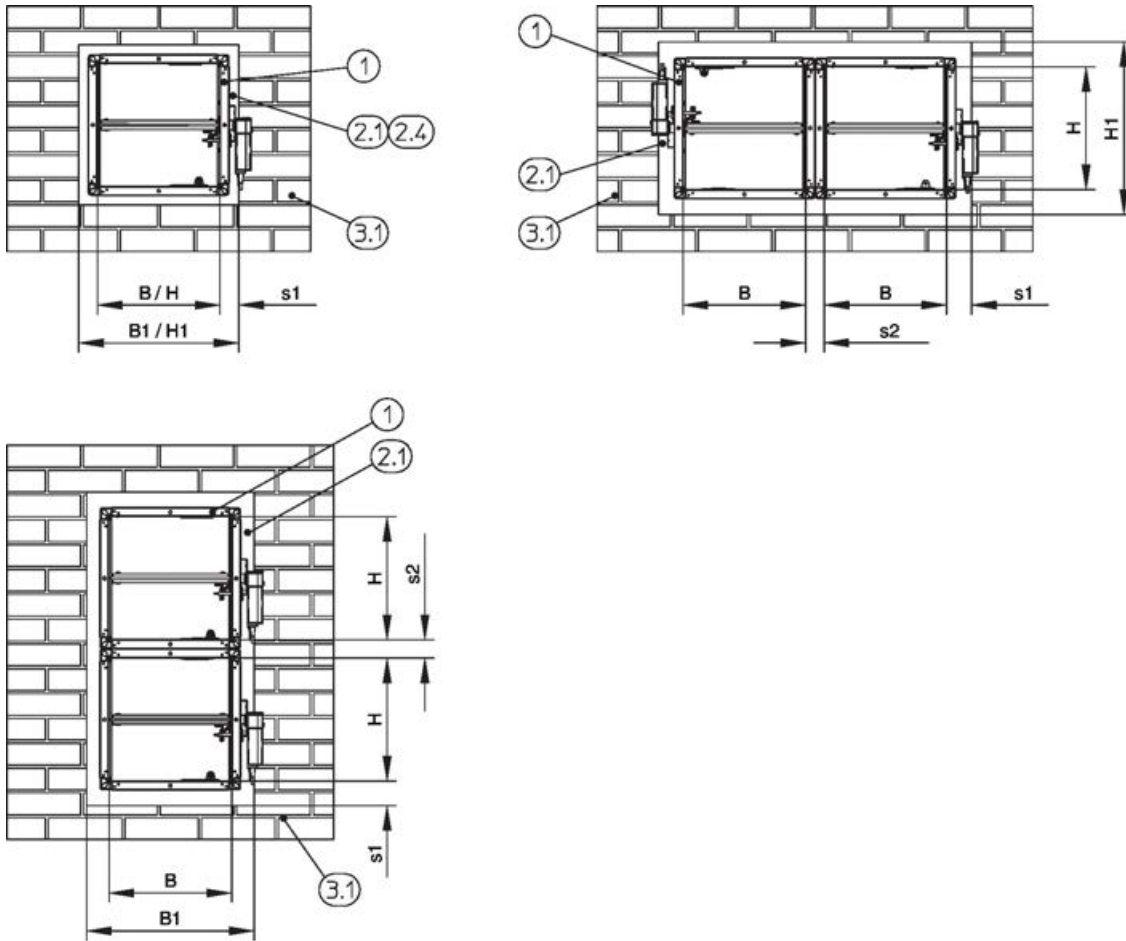
- Solid wood or cross-laminated timber ceilings.
- Ceiling thickness $D \geq 140$ mm or $D \geq 112.5$ mm with supplementary fire-resistant cladding.

Wooden beam ceilings

- Wooden beam or glulam construction.
- Ceiling thickness $D \geq 142.5$ mm (ceiling-dependent) with supplementary fire-resistant cladding.

4.4 Solid walls

4.4.1 General



doc_techdraw_003879

Fig. 23: Solid walls – arrangement / distances

- | | | | |
|-----|---------------------------------|-----|---|
| 1 | FKA2-EU | 3.1 | Solid wall |
| 2.1 | Mortar | s1 | Perimeter gap, ↪ on page 32 |
| 2.4 | Fire batt with ablative coating | s2 | Distance between the fire dampers, ↪ 'Distances' on page 31 |

Installation type	Installation opening [mm]		Distance [mm]	
	B1	H1	s1	s2
Mortar-based installation	B + 450 max.	H + 450 max.	≤ 225	60 ² – 225
Dry mortarless installation with fire batt ¹	B + 1200 max.	H + 1200 max.	40 – 600	60 ² – 600

¹) Note the maximum size for the fire batt

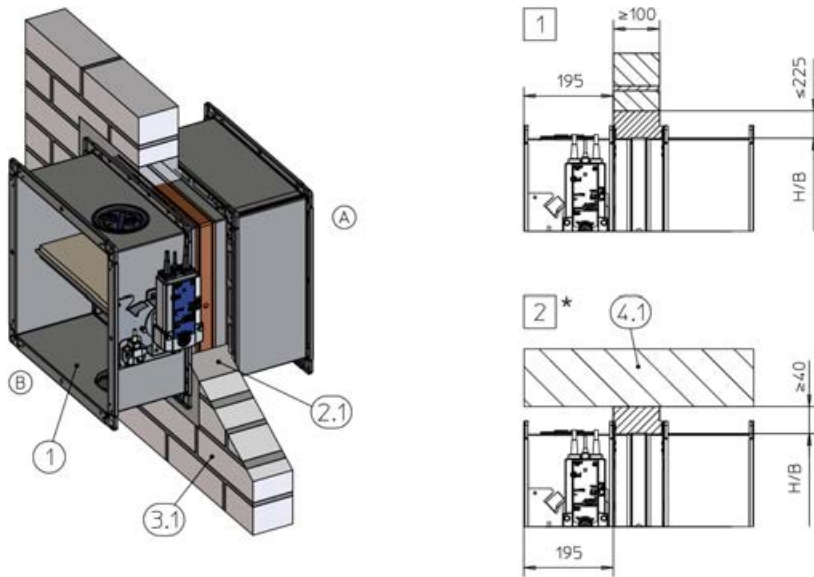
²) With length 305 mm and installation of fire dampers on top of each other, gap s2 has to be at least 75 mm.

Additional requirements: solid walls

- Solid wall, ↪ on page 37
- Distances and installation orientation, ↪ 'Distances' on page 31

4.4.2 Mortar-based installation

Mortar-based installation into a solid wall



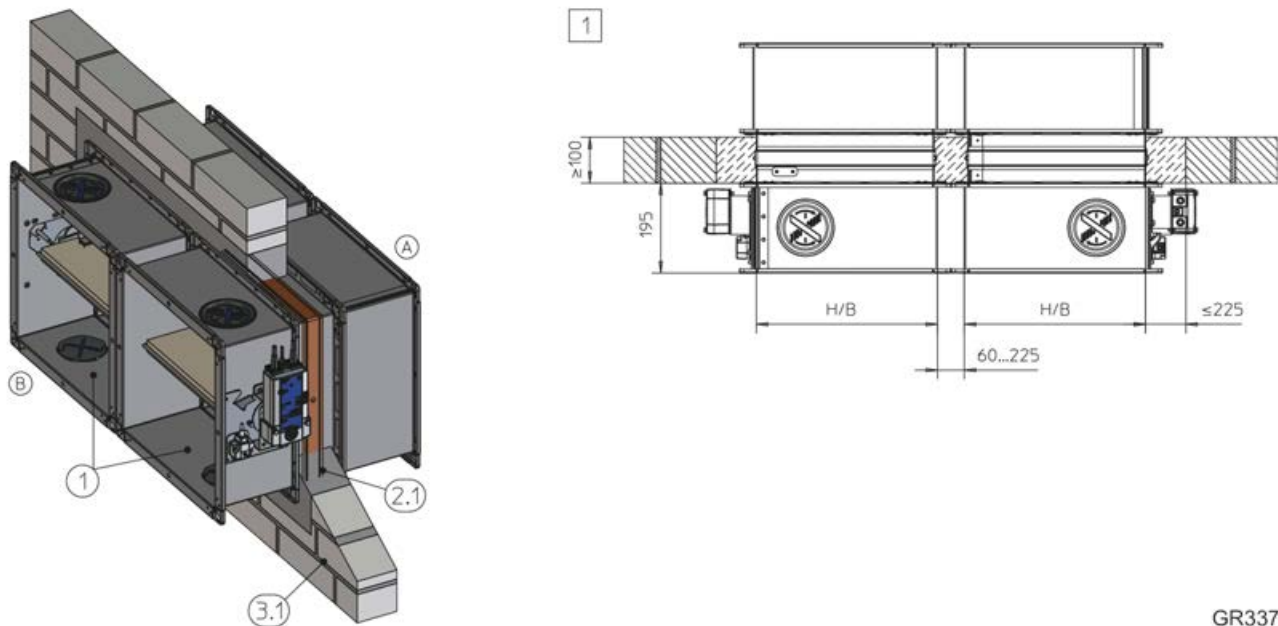
GR3286910, E

Fig. 24: Mortar-based installation into a solid wall

- 1 FKA2-EU
- 2.1 Mortar
- 3.1 Solid wall
- 4.1 Solid ceiling slab / solid floor

- * Installation near the floor as in **2**
- 1** Up to EI 120 S
- 2** Up to EI 120 S

Mortar-based installation into a solid wall, flange to flange

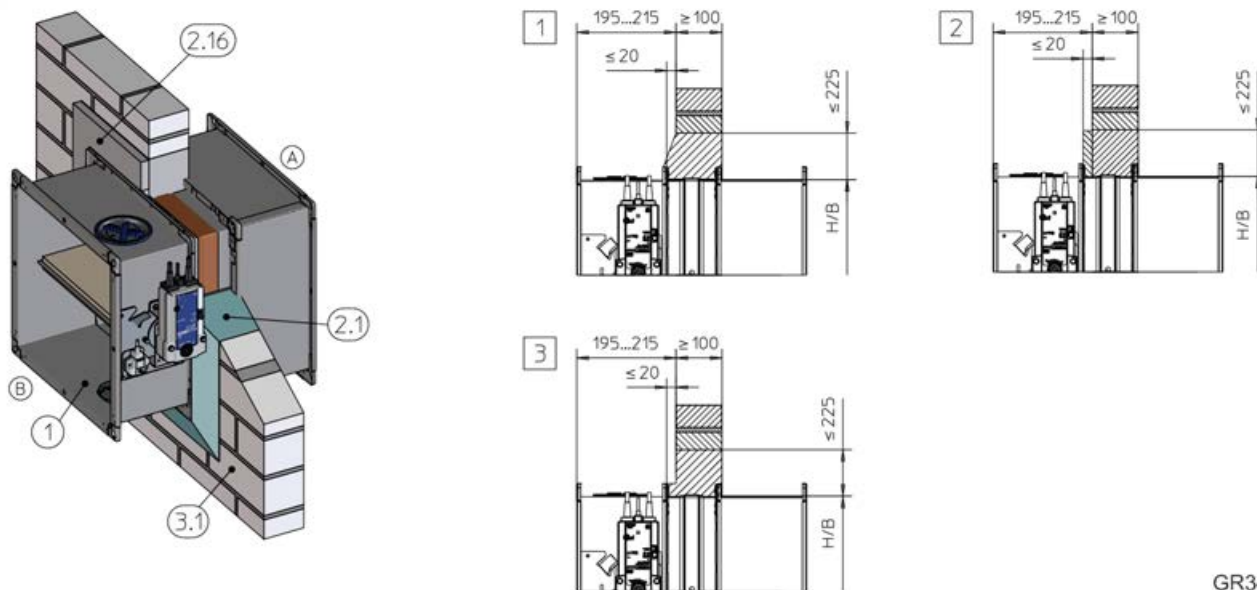


GR3379161, C

Fig. 25: Mortar-based installation into a solid wall, flange to flange, illustration shows side by side installation (applies also to installation of dampers on top of each other)

- 1 FKA2-EU
- 2.1 Mortar
- 3.1 Solid wall
- 1** Up to EI 120 S

Mortar-based installation into a solid wall



GR3484021, F

Fig. 26: Mortar-based installation into a solid wall

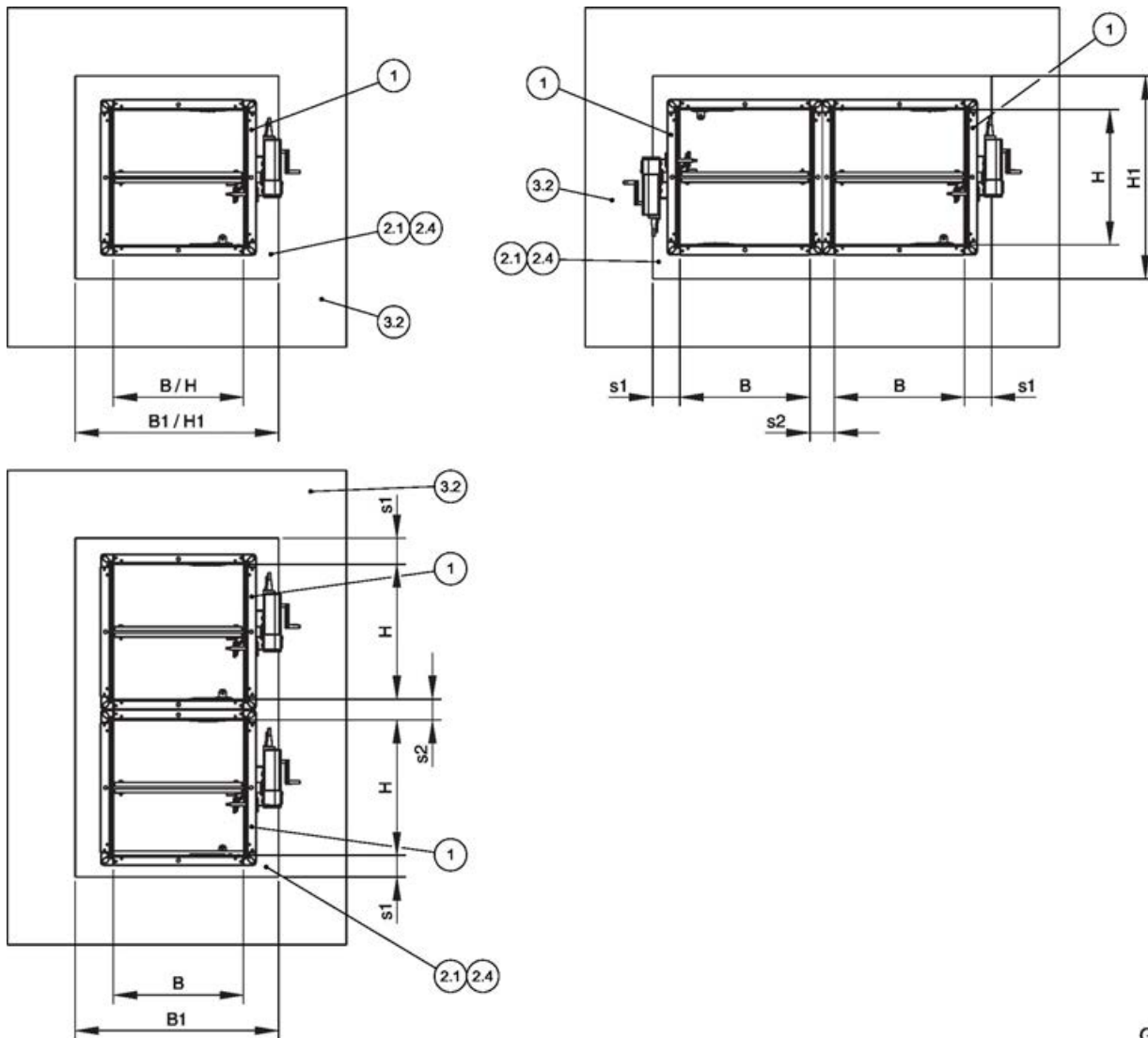
- | | | | |
|------|--|-------|----------------|
| 1 | FKA2-EU | 3.1 | Solid wall |
| 2.1 | Mortar, alternatively closing the perimeter gap with mortar and sloping plaster finish | 1 – 3 | Up to EI 120 S |
| 2.16 | Cement plaster | | |

Additional requirements: mortar-based installation into solid walls / gypsum wallboard

- Solid wall / gypsum wallboard, ↗ on page 37
- Casing length L = 305 or 500 mm

4.5 Lightweight partition walls

4.5.1 General



GR3870078, A

Fig. 27: Lightweight partition walls with metal support structure – arrangement/distances

- | | | | |
|-----|---------------------------------|-----|---|
| 1 | FKA2-EU | 3.2 | Lightweight partition wall, cladding on both sides |
| 2.1 | Mortar | s1 | Perimeter gap, ☞ on page 32 |
| 2.4 | Fire batt with ablative coating | s2 | Distance between the fire dampers, ☞ 'Distances' on page 31 |

Installation type	Installation opening [mm]			
	B1	H1	s1	s2
Mortar-based installation ¹ B + 450 max.		H + 450 max.	≤ 225	60 ⁴ – 225
Dry mortarless installation with installation kit ES ^{1, 2}	B + 140	H + 140	central installation	
Dry mortarless installation with fire batt ³	B + 80 to 1200	H + 80 to 1200	40 – 600	60 ⁴ – 600

¹ Trim panels are optional or according to installation details
(2 × 12.5 mm max. / 1 × 25 mm)

² Installation opening tolerance ± 2 mm

³ Trim panels required according to installation details

⁴ With length 305 mm and installation of fire dampers on top of each other, the distance between FKA2-EU fire dampers has to be at least 75 mm.

Lightweight partition wall with metal support structure and cladding on both sides

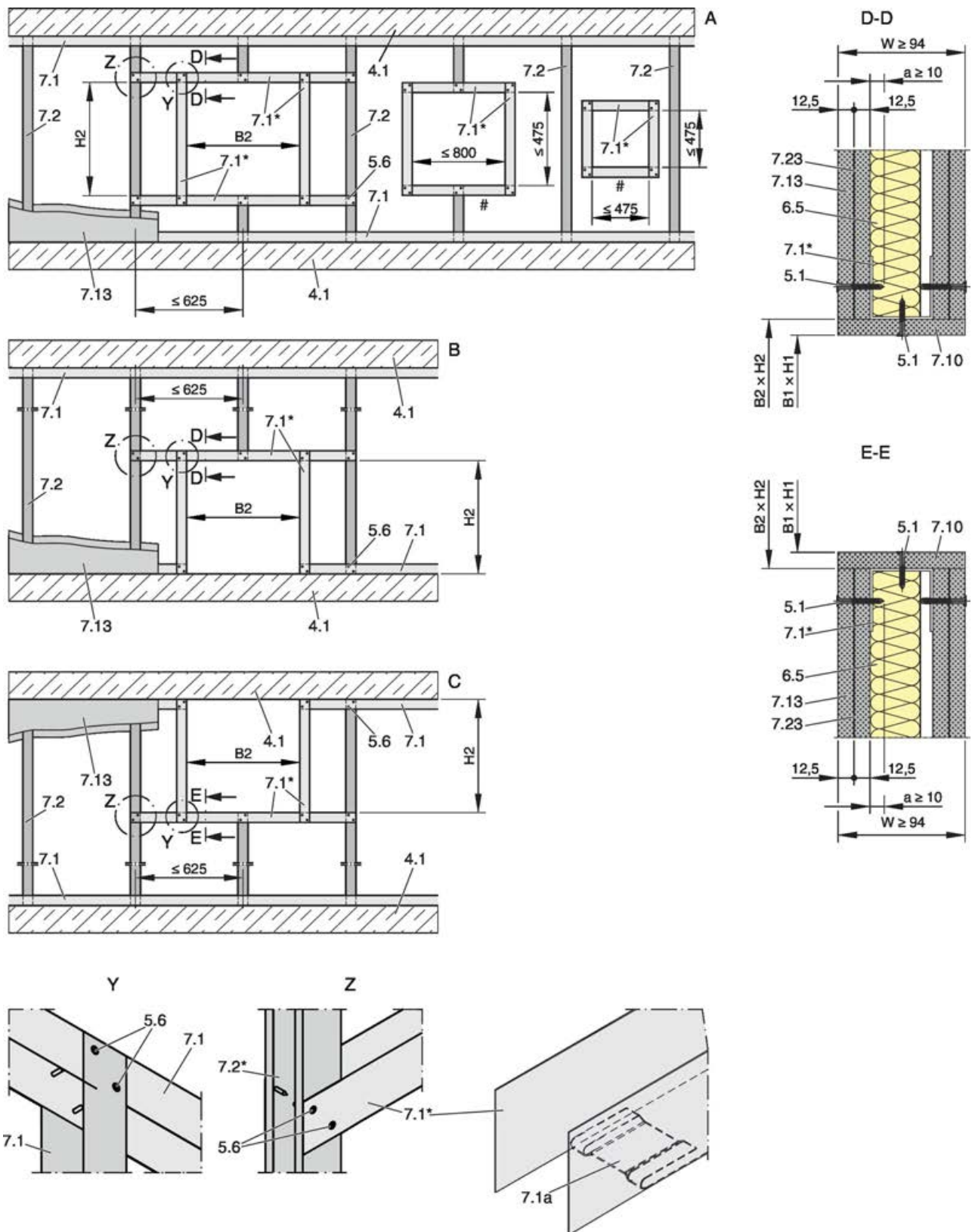


Fig. 28: Lightweight partition wall with metal support structure and cladding on both sides, explanation see Fig. 29

Compartment wall with metal support structure and cladding on both sides

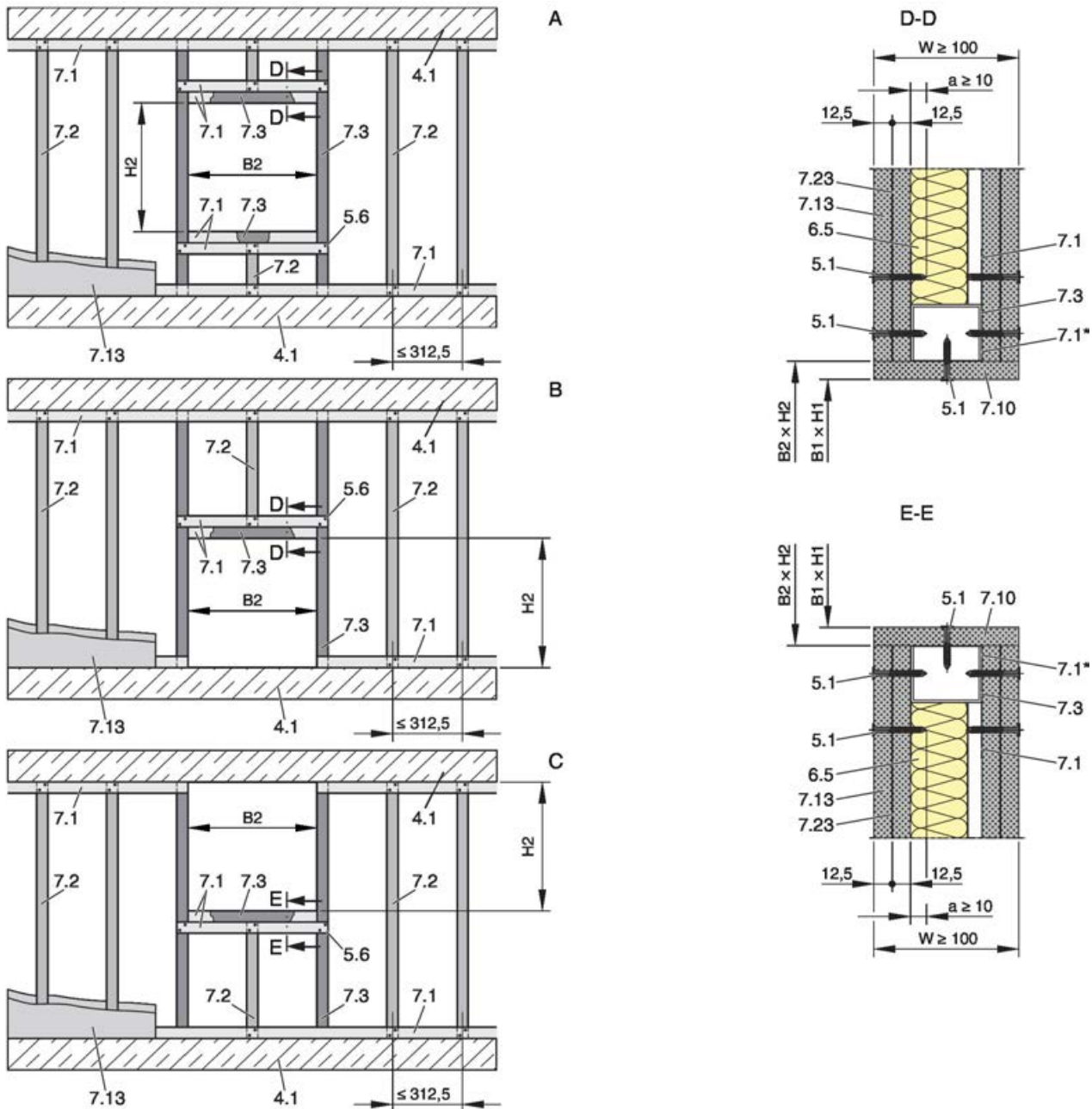


Fig. 29: Compartment wall with metal support structure and cladding on both sides

A	Lightweight partition wall with metal support structure or steel support structure / compartment wall / safety partition wall	7.2	CW section
		7.3	UA section
BB	Lightweight partition wall with metal support structure or steel support structure / compartment wall / safety partition wall, installation near the floor	7.10	Trim panels according to installation details
		7.13	Cladding
		7.23	Sheet steel insert (if any, depends on wall manufacturer)
C	Lightweight partition wall with metal support structure or steel support structure / compartment wall / safety partition wall, installation near the ceiling	B1 × H1	Installation opening
		B2 × H2	Opening in the metal support structure (without trim panels: B2 = B1, H2 = H1)
		*	Closed side of metal section must face the installation opening
4.1	Solid ceiling slab / solid floor	#	Arrangement may vary
5.1	Dry wall screw		
5.6	Screw or steel rivet		
6.5	Mineral wool (depending on wall construction)		
7.1	UW section		

7.1a UW section, either cut in and bent or cut off

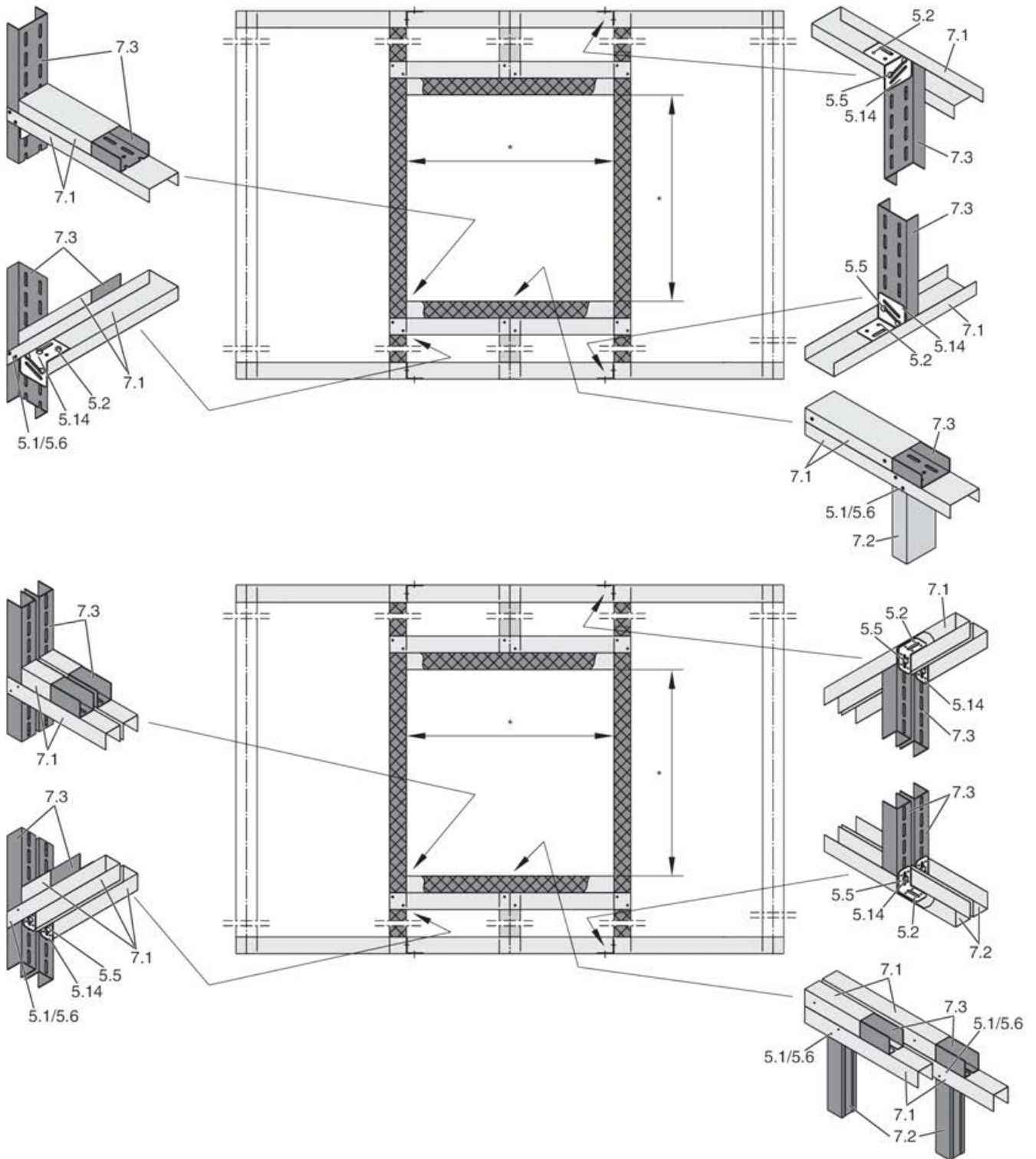
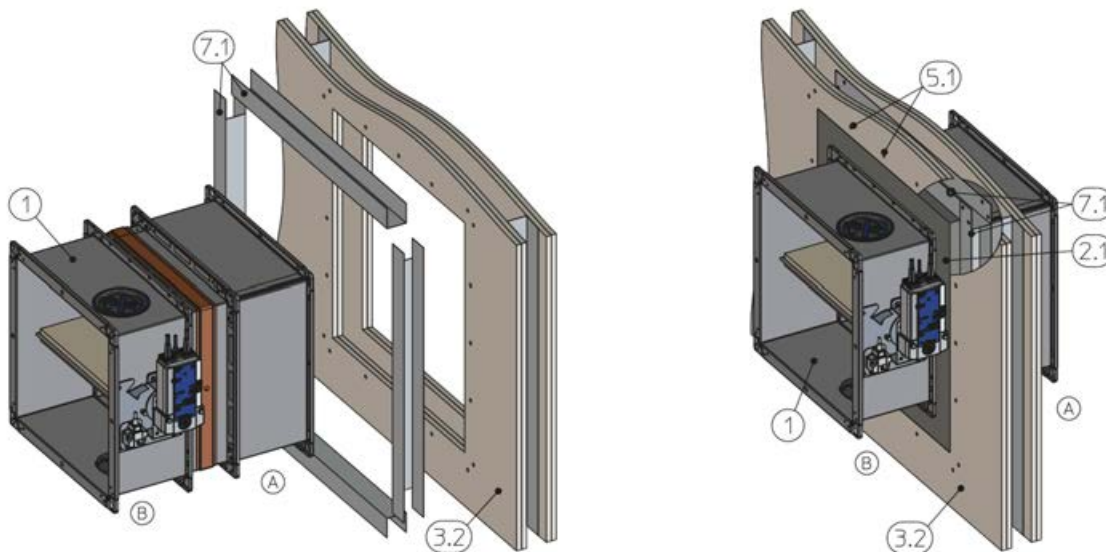


Fig. 30: Metal support structure for a compartment wall, single stud system and double stud system

- | | | | |
|------|---|-----|--|
| 5.1 | Dry wall screw | 7.1 | UW section |
| 5.2 | Hexagon head screw M6 | 7.2 | CW section |
| 5.5 | Carriage bolt, L ≤ 50 mm, with washer and nut | 7.3 | UA section |
| 5.6 | Steel rivet | * | Installation opening according to installation details |
| 5.14 | Angle bracket | | |

Installation at a later stage



GR3478229, A

Fig. 31: Installation into a lightweight partition wall at a later stage, for clear installation openings of ≤ 475 mm between two regular studs, illustration shows mortar-based installation (applies also to dry mortarless installation)

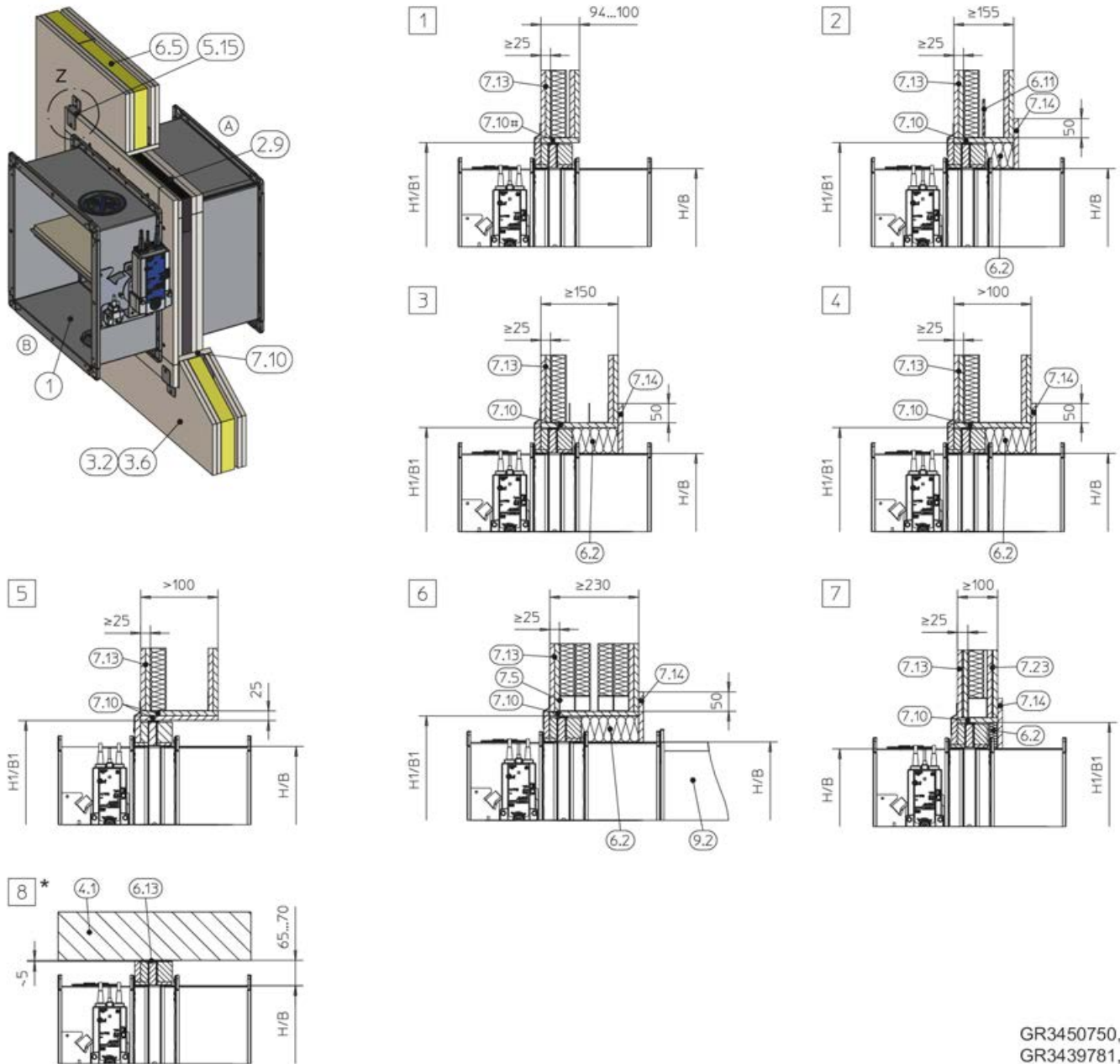
- | | |
|--|---|
| <ul style="list-style-type: none"> 1 FKA2-EU 2.1 Mortar 3.2 Lightweight partition wall with metal support structure, cladding on both sides | <ul style="list-style-type: none"> 5.1 Dry wall screw, screw spacing ≤ 100 mm 7.1 UW sections, cut to size (by others), overlapping |
|--|---|

Additional requirements: lightweight partition walls and compartment walls with metal support structure

- Lightweight partition wall or compartment wall,
↪ on page 38
- The structural safety of the wall must be ensured (by others). Compensation measures, especially with regard to large installation openings (such as for multiple installation), must be determined on a case to case basis (by others).

4.5.2 Dry mortarless installation with installation kit ES

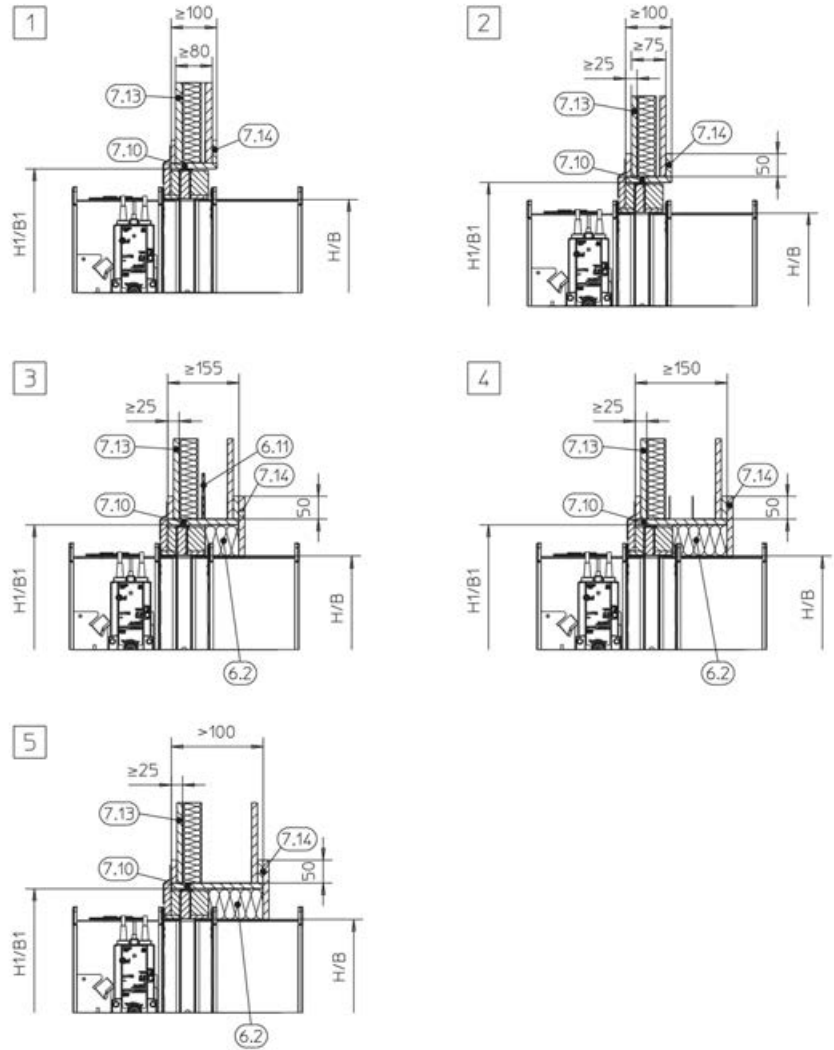
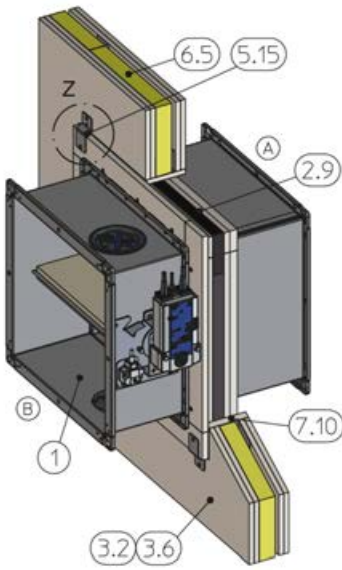
Dry mortarless installation into a lightweight partition wall, with installation kit ES



GR3450750, L
GR3439781, G

Fig. 32: Dry mortarless installation into a lightweight partition wall, with installation kit ES

1	FKA2-EU	7.10	Trim panels
2.9	Installation kit ES	7.10#	Optional trim panels
3.2	Lightweight partition wall with metal support structure, cladding on both sides	7.13	Cladding
3.6	Compartment wall or safety partition wall with metal support structure, cladding on both sides	7.14	Reinforcing board of the same material as the wall
4.1	Solid ceiling slab / solid floor	7.23	Sheet steel insert depending on wall manufacturer
5.15	Bracket	9.2	Extension piece or duct
6.2	Mineral wool, $\geq 1000\text{ }^{\circ}\text{C}$, $\geq 80\text{ kg/m}^3$	*	Installation near the floor as in 8
6.5	Mineral wool (depending on wall construction)	H1/B1	Installation opening, see table 44
6.11	Insulating strip (depending on wall construction)	Z	For fixing, see Fig. 17 to Fig. 19
6.13	Mineral wool strips A1, filler as an alternative (if required to even out an uneven wall)	1 – 8	up to EI 120 S: B × H > 800 × 400 – 1500 × 800 mm
7.5	Steel support structure (box section)		Up to EI 90 S: B × H = 200 × 100 – 1500 × 800 mm



GR3450750, L

Fig. 33: Dry mortarless installation into a lightweight partition wall, with installation kit ES

1	FKA2-EU	7.10	Trim panels
2.9	Installation kit ES	7.13	Cladding
3.2	Lightweight partition wall with metal support structure, cladding on both sides	7.14	Reinforcing board of the same material as the wall
3.6	Compartment wall or safety partition wall with metal support structure, cladding on both sides	H1/B1	Installation opening, see table 44
5.15	Bracket	Z	For fixing, see Fig. 17 to Fig. 19 up to EI 60
6.2	Mineral wool, ≥ 1000 °C, ≥ 80 kg/m ³ (required for wall thicknesses > 100 mm)	1	EI 30 S
6.5	Mineral wool (depending on wall construction)	2 – 5	
6.11	Insulating strip (depending on wall construction)		

Dry mortarless installation into a lightweight partition wall, below a flexible ceiling joint

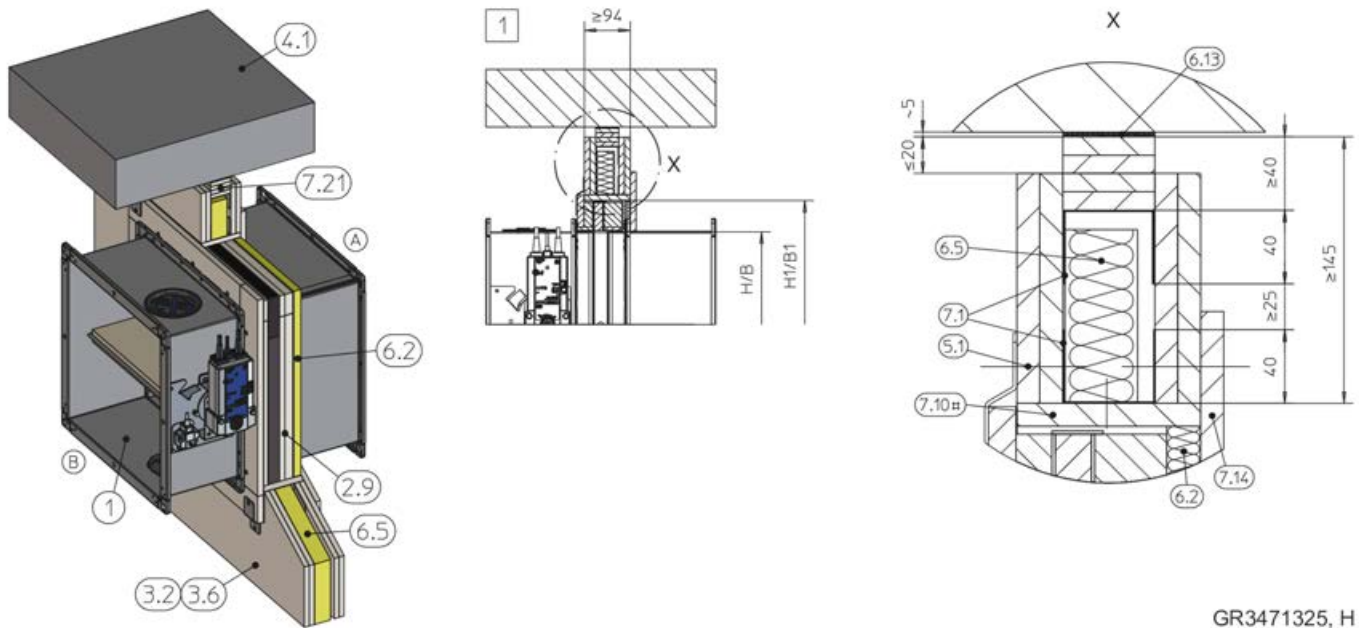


Fig. 34: Dry mortarless installation into a lightweight partition wall, below a flexible ceiling joint

1	FKA2-EU	6.13	Mineral wool strips A1, filler as an alternative (if required to even out an uneven wall)
2.9	Installation kit ES	7.1	UW section
3.2	Lightweight partition wall with metal support structure, cladding on both sides	7.10#	Optional trim panels
3.6	Compartment wall or safety partition wall with metal support structure, cladding on both sides	7.14	Reinforcing board of the same material (required if W > 100 mm)
4.1	Solid ceiling slab	7.21	Ceiling joint strips (e.g. 4 × ≥10 mm)
5.1	Dry wall screw	H1/B1	Installation opening, see table 44
5.15	Bracket	Z	For fixing, see Fig. 17 to Fig. 19
6.2	Mineral wool, ≥ 1000 °C, ≥ 80 kg/m³	1	up to EI 120 S: B × H > 800 × 400 – 1500 × 800 mm
6.5	Mineral wool (depending on wall construction)		Up to EI 90 S: B × H = 200 × 100 – 1500 × 800 mm

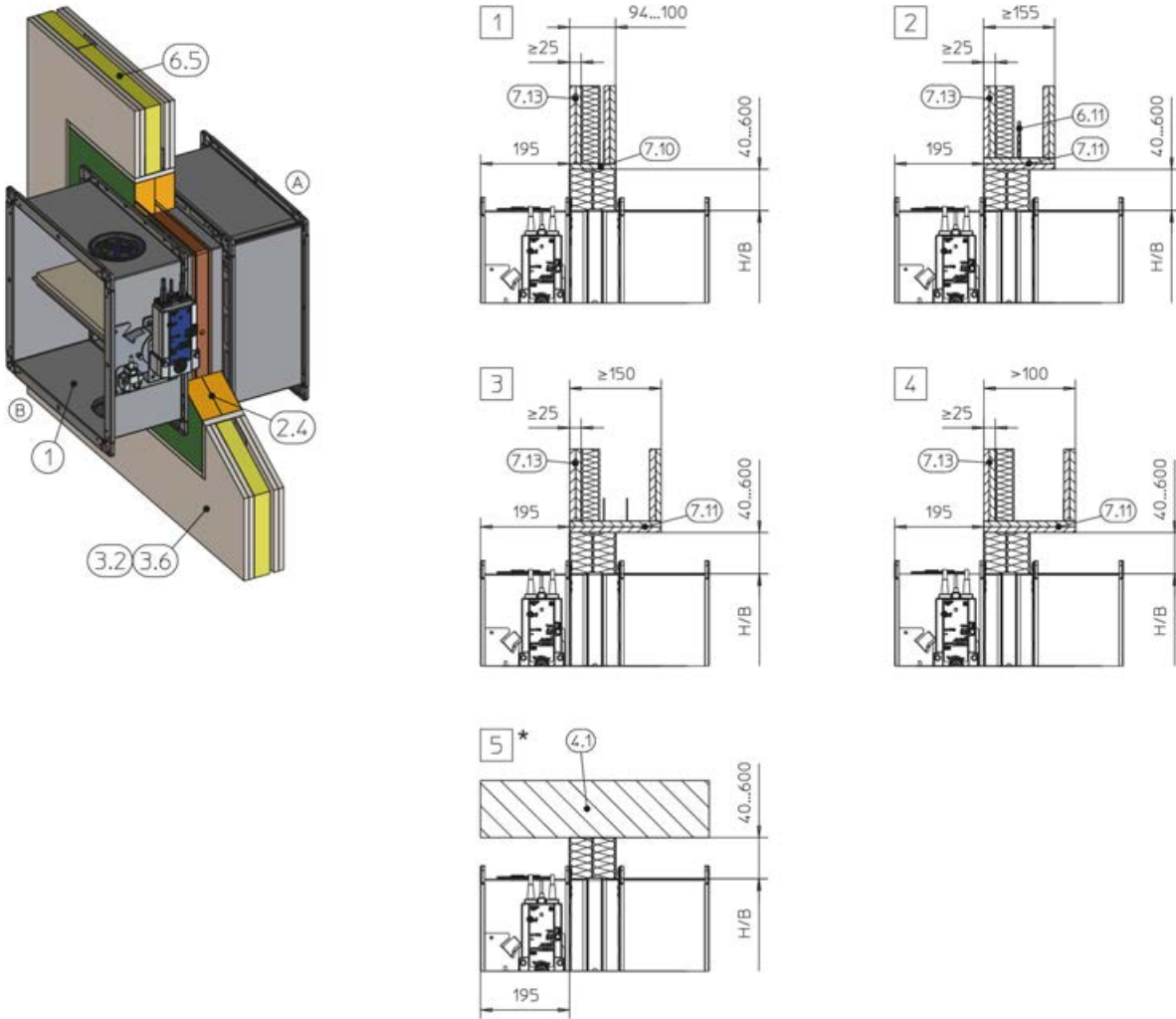
Additional requirements: dry mortarless installation with installation kit ES in lightweight partition walls

- Lightweight partition wall, ↗ on page 38
 - Casing length L = 500 mm
 - Distance between the fire damper and adjacent structural elements ≥ 80 / 120 mm (depending on the position of the brackets)
 - 65 – 70 mm distance between the fire damper with a shortened installation kit and load-bearing structural elements, see Fig. 32 / Fig. 33 , detail 6
 - ≥ 200 mm distance between two fire dampers in separate installation openings
 - Ensure accessibility from the rear.
 - For wall thicknesses > 100 mm, 2-layer trim panels (2-layer trim panels on three sides for installations near the ceiling) can be used as an alternative to the rear closure from 6.2 and 7.14.
1. ▶ Mount the installation kit onto the fire damper.

2. ▶ Position the fire damper in the centre of the installation opening and fix it with brackets and dry wall screws to the metal frame, see Fig. 17 to Fig. 19 .

4.5.3 Dry mortarless installation with fire batt

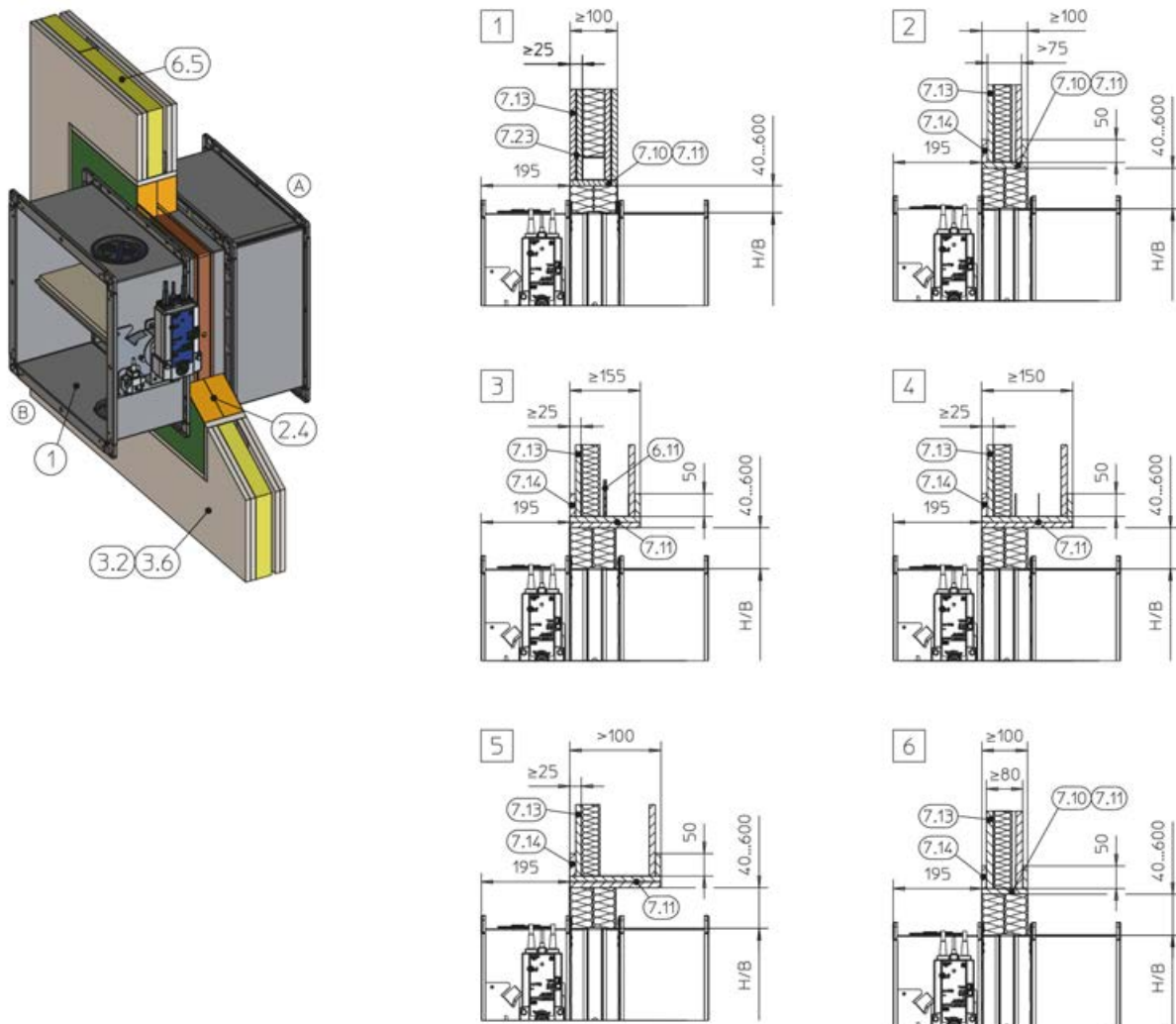
Dry mortarless installation into a lightweight partition wall, with a fire batt



GR3469131, M

Fig. 35: Dry mortarless installation into a lightweight partition wall, with a fire batt

1	FKA2-EU	7.10	Trim panels, up to $W \leq 100$ mm (optional)
2.4	Coated board system	7.11	Trim panels, double layer
3.2	Lightweight partition wall with metal support structure, cladding on both sides	7.13	Cladding
3.6	Compartment wall or safety partition wall with metal support structure, cladding on both sides	*	Installation near the floor as in [5]
4.1	Solid ceiling slab / solid floor	[1] –	up to EI 120 S:
6.5	Mineral wool (depending on wall construction)	[4]	$B \times H = 200 \times 100 - 800 \times 400$ mm (horizontal installation position)
6.11	Insulating strip (depending on wall construction)	[5]	Up to EI 90 S:
			$B \times H = 200 \times 100 - 1500 \times 800$ mm
			EI 30 to EI 120 S

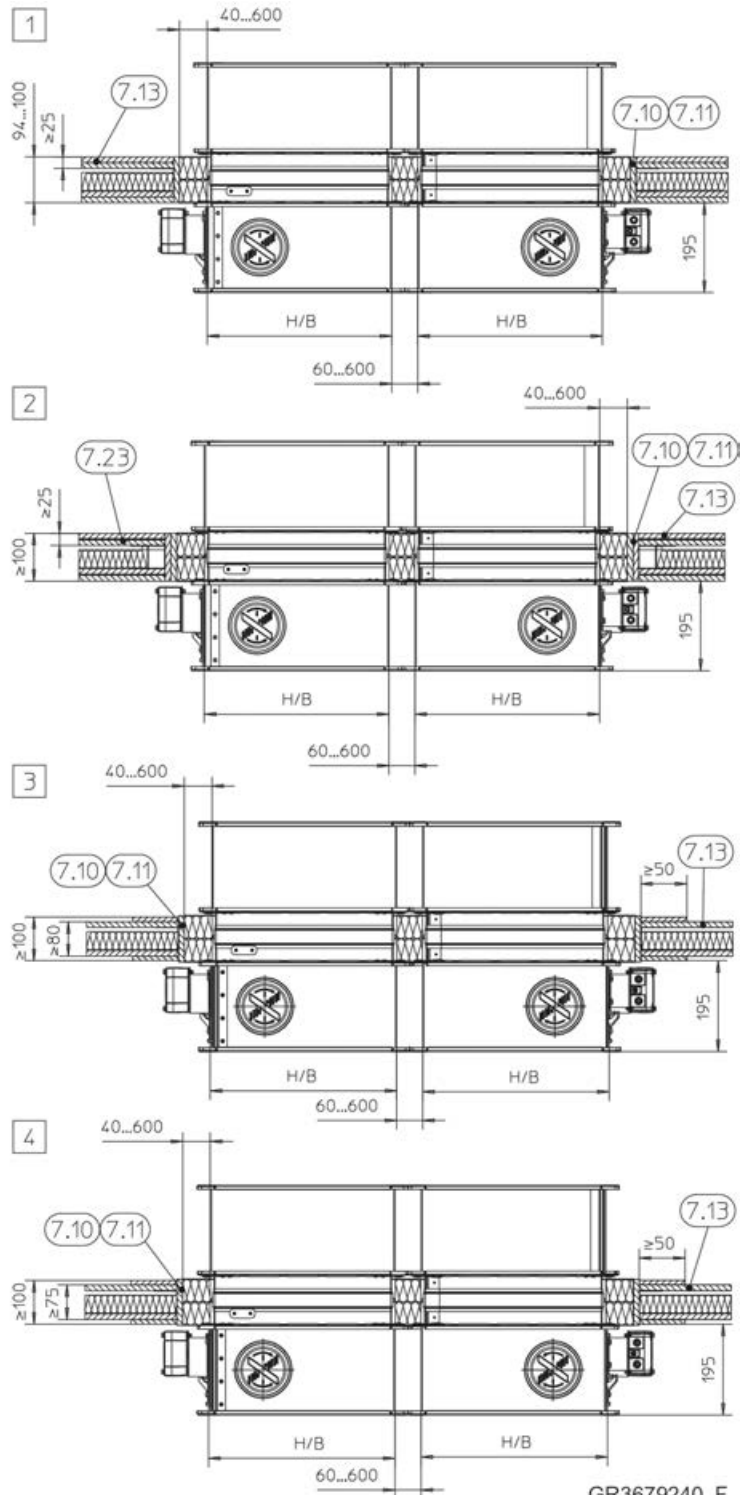
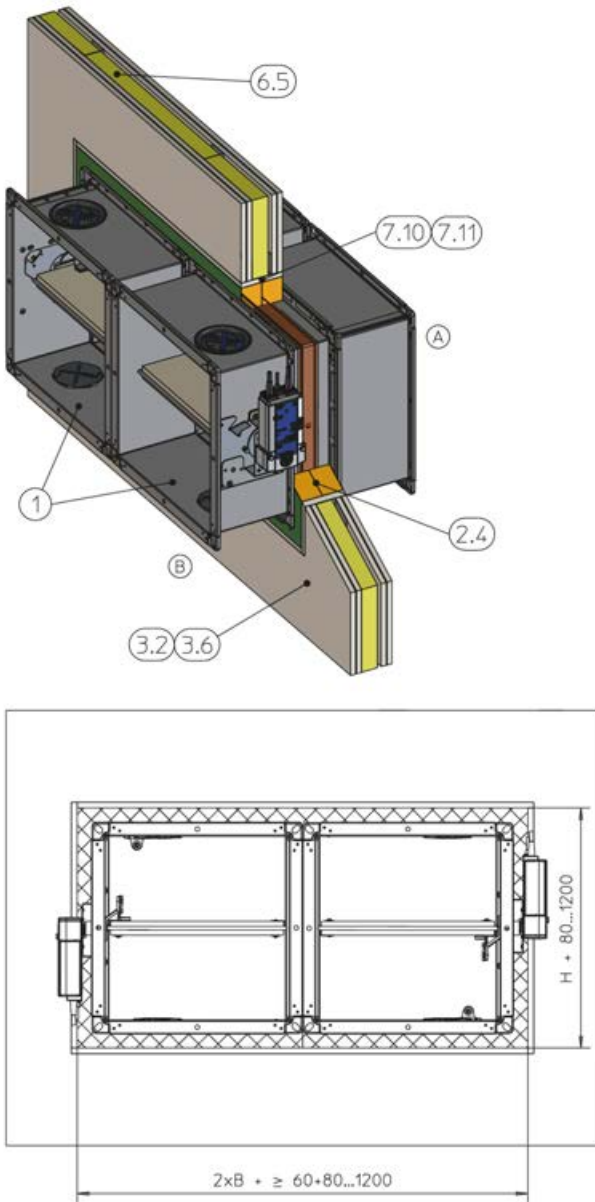


GR3469131, M

Fig. 36: Dry mortarless installation into a lightweight partition wall, with a fire batt

1	FKA2-EU	7.13	Cladding
2.4	Coated board system	7.14	Reinforcing board of the same material as the wall
3.2	Lightweight partition wall with metal support structure, cladding on both sides	7.23	Sheet steel insert depending on wall manufacturer
3.6	Compartment wall or safety partition wall with metal support structure, cladding on both sides	1	up to EI 120 S: B × H = 200 × 100 – 800 × 400 mm (horizontal installation position)
6.5	Mineral wool (depending on wall construction)		Up to EI 90 S: B × H = 200 × 100 – 1500 × 800 mm
6.11	Insulating strip (depending on wall construction)	2	EI 30 S
7.10	Trim panels, up to W ≤ 100 mm (optional)	5	
7.11	Trim panels, double layer	6	Up to EI 60 S

Dry mortarless installation with fire batt, flange to flange



GR3679240, F

Fig. 37: Dry mortarless installation into a lightweight partition wall, with a fire batt, flange to flange, illustration shows side by side installation (applies also to installation of dampers on top of each other)

1	FKA2-EU	7.11	Trim panels, double layer
2.4	Coated board system	7.13	Cladding
3.2	Lightweight partition wall with metal support structure, cladding on both sides	7.23	Sheet steel insert depending on wall manufacturer
3.6	Compartment wall with metal support structure, cladding on both sides	1 2	Up to EI 90 S
6.5	Mineral wool (depending on wall construction)	3	Up to EI 60 S
		4	EI 30 S

7.10 Trim panels, up to $W \leq 100$ mm (optional)

Dry mortarless installation with fire batt, multiple installation, flange to flange

Additional requirements: dry mortarless installation into lightweight partition walls, with fire batt

- Lightweight partition wall, ↪ *on page 38*
- Casing length $L = 305$ or 500 mm
- Fire batt systems, installation details, distances / dimensions, ↪ *on page 36*
- Suspension and fixing, ↪ *Chapter 4.6 'Fixing the fire damper' on page 56* ↪ *4.6.3 'Fixing the damper when a fire batt is used' on page 58*

4.6 Fixing the fire damper

4.6.1 General

Fire dampers installed remote from walls and ceiling slabs and installed in a fire batt have to be suspended with steel threaded rods (M10 – M12).

The rods have to be fixed to the ceiling slab; the required fire resistance must not be compromised. Use only fire-rated steel anchors with suitability certificate. Instead of anchors, you can use threaded rods and secure them above the ceiling using steel nuts and washers. Threaded rods up to 1.50 m long do not require any insulation; longer rods do require insulation (according to Promat® work sheet 478, for example). Load the suspension system only with the weight of the fire damper; ducts must be suspended separately.

Weight [kg]: ↪ Chapter 2.2 'FKA2-EU with fusible link' on page 9 ↪ Chapter 2.3 'FKA2-EU with spring return actuator' on page 12 ↪ Chapter 2.4 'FKA2-EU with spring return actuator and duct smoke detector' on page 19 ↪ Chapter 2.5 'FKA2-EU with fusible link and cover grille as air transfer unit' on page 20 ↪ Chapter 2.6 'FKA2-EU with spring return actuator and duct smoke detector as air transfer damper' on page 21 .

In addition to the fixing systems described in this manual, you may also use fixing systems that have been approved by accredited testing institutes. This applies in particular to the fire damper installation near a wall or in a corner (when angle sections or mounting plates are used).

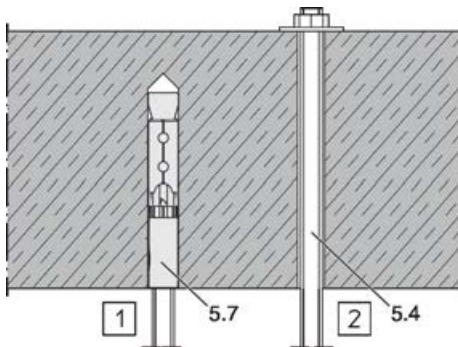


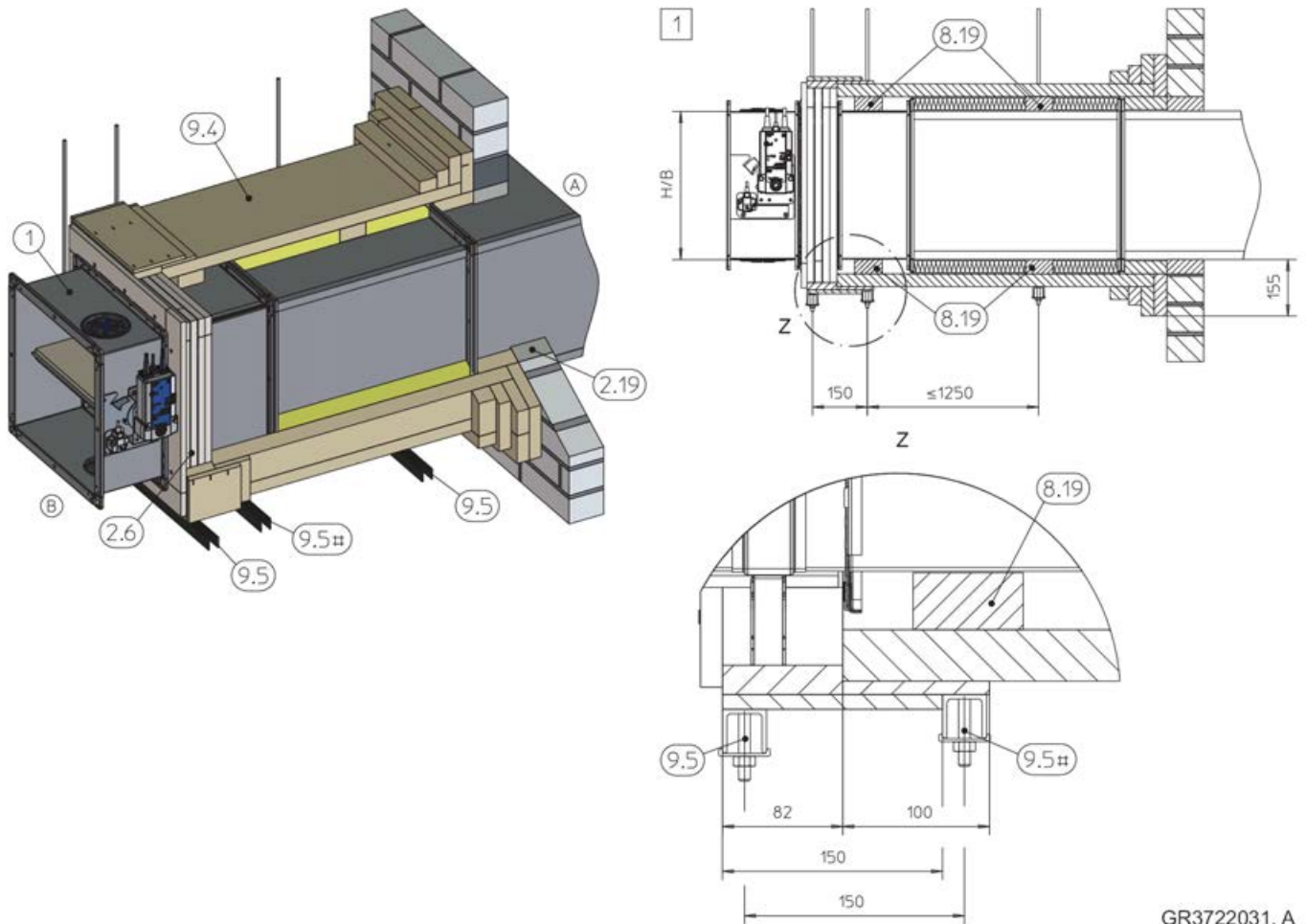
Fig. 38: Fixing to the ceiling slab

5.4 Threaded rod

5.7 Fire-rated anchor (with suitability certificate)

- 1 Fixing with fire-rated anchor with suitability certificate
- 2 Fixing with threaded rod (push through)

4.6.2 Suspending fire dampers installed remote from solid walls and ceiling slabs



GR3722031, A

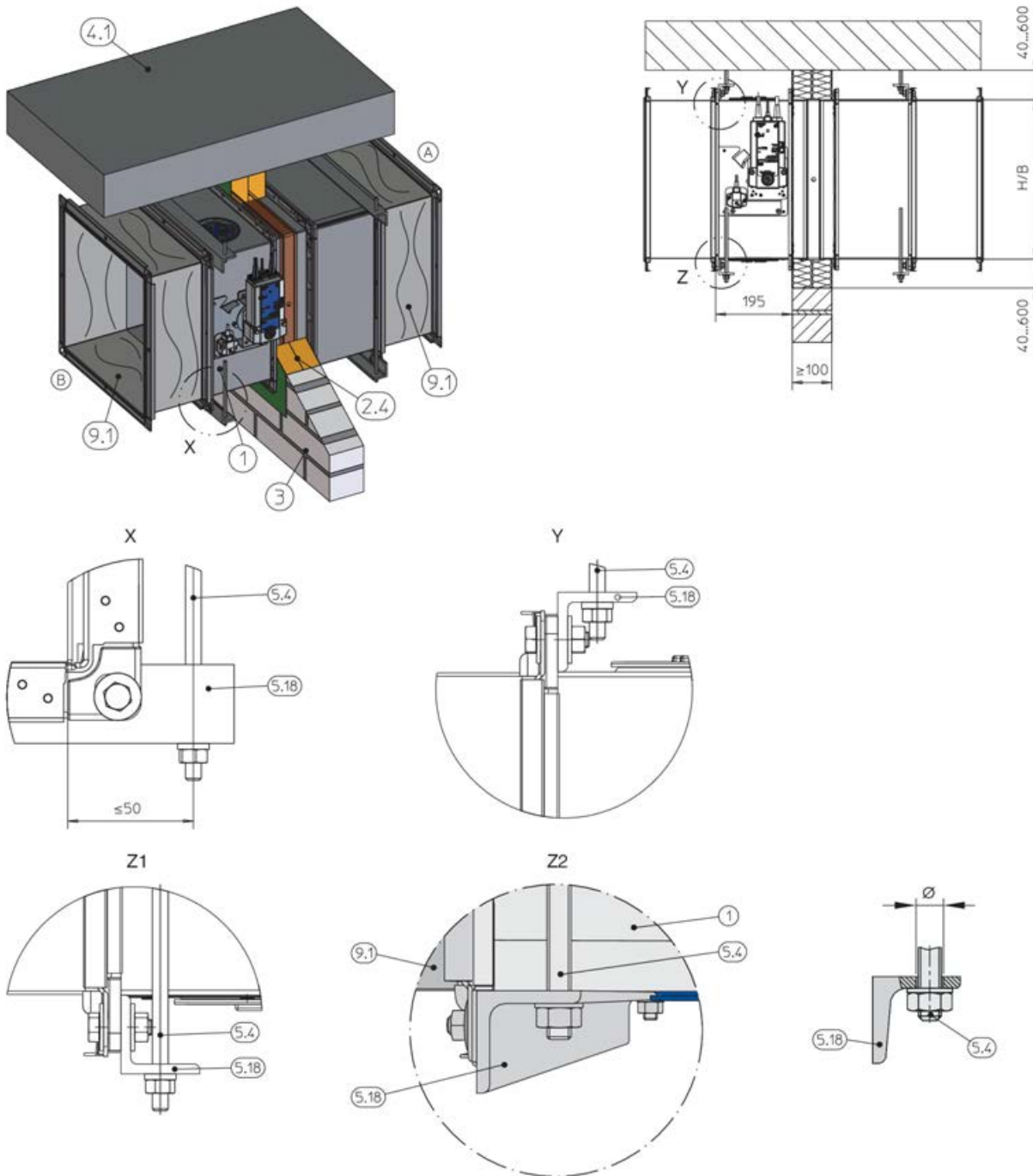
Fig. 39: Dry mortarless installation with installation kit WE

- 1 FKA2-EU
- 2.6 Installation kit WE,
- 2.19 Joint filler (suitable Promat® filler, Promat® ready-to-use filler or mineral wool, $\geq 1000\text{ }^{\circ}\text{C}$, $\geq 80\text{ kg/m}^3$ or mortar according to the installation and operating manual)
- 8.19 PROMATECT® LS firestop board, $d = 35\text{ mm}$
- 9.4 Sheet steel duct with fire-rated cladding and suspension system according to Promat® manual, construction 478, latest edition
- 9.5 Suspension system (by others) consisting of:
 - a Threaded rod
 - M10: $B \times H \leq 800 \times 200\text{ mm}$
 - M12: $B \times H \leq 1000 \times 600\text{ mm}$
 - M12#: $B \times H > 1000 \times 600\text{ mm}$
 - b Hilti® mounting rail MQ 41 \times 3 mm or equivalent
 - c Hilti® drilled plate MQZ L13 or equivalent
 - d Hexagon nut with washer
 - # Damper sizes $> 1000 \times 600\text{ mm}$ require two suspension points underneath the damper, at a distance of 150 mm from each other
- 1 Up to EI 90 S (horizontal installation position)

Fixing the fire damper > Fixing the damper when a fire batt is used

4.6.3 Fixing the damper when a fire batt is used

Horizontal duct



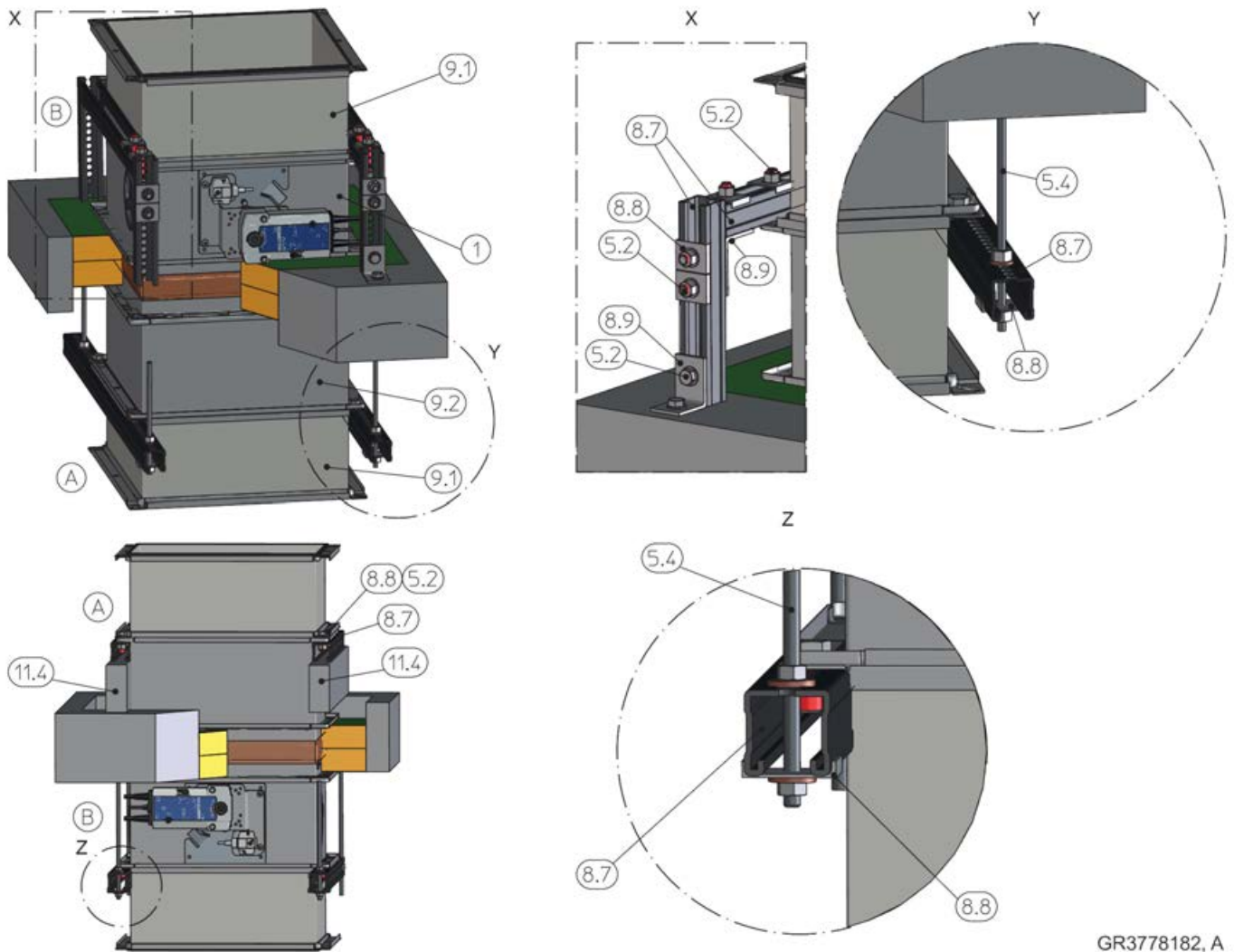
GR3722033, A

Fig. 40: Fixing of FKA2-EU, wall installation with a fire batt

- | | | | |
|-----|--------------------------------------|------|---|
| 1 | FKA2-EU | 5.18 | Steel angle section to EN 10056-1, L ≥ 40 mm × 40 mm × 5 mm, galvanised or painted, or equivalent |
| 2.4 | Fire batt with ablative coating | 9.1 | Flexible connector (recommended) |
| 3 | Wall, solid wall shown | Z1 | Suspension from EI 90 S |
| 4.1 | Solid ceiling slab | Z2 | Suspension up to EI 60 S |
| 5.4 | Threaded rod M12 with washer and nut | | |

Note: Each fire damper has to be suspended both on the operating side and on the installation side. The suspension has to be fixed either to the top **or** to the bottom of the flange.

Vertical duct



GR3778182, A
GR3778400, A

Fig. 41: Installation with fire batt, FKA2-EU suspended or upright

1	FKA2-EU	8.9	Varifix ANSHWNKL-PRFL36-90GRAD or Müpro mounting bracket 90°, galvanised, or equivalent
5.2	Screw M10 × 70 mm, with washer and nut	9.1	Flexible connector (recommended)
5.4	Threaded rod M12 with washer and nut	9.2	Extension piece
8.7	Mounting rail, Würth Varifix 36 × 36 × 2.5 or Müpro MPC 38/40 or equivalent	11.4	Underlay material, non-combustible
8.8	Fixing bracket, Varifix or Müpro MPC or equivalent		

Note:

- Installation of the fire damper in vertical ducts with a fire batt from EI 90 S requires the fire damper to be fixed both above and below the ceiling slab, see Fig. 41 . The fire damper should be suspended along the shorter casing sides if at all possible.
- If you install the fire damper adjacent to a solid wall, you can also fix the steel bracket to the solid wall. The fixing has to be equivalent (to be ensured by others).

! DANGER!

Danger of falling off! Do not step onto the fire batt!

The fire batt cannot carry any loads. Adequate means, e.g. a permanent barrier, must be installed to prevent people from stepping onto the fire batt.

5 Electrical connection

5.1 General safety notes

⚠ DANGER!

Danger of electric shock! Do not touch any live components! Electrical equipment carries a dangerous electrical voltage.

- Only skilled qualified electricians are allowed to work on the electrical system.
- Switch off the power supply before working on any electrical equipment.

The connecting cables are sized by others depending on the supply voltage (230 V or 24 V), the cable length and the power consumption and number of actuators.

5.2 Limit switches (fire dampers with fusible link)

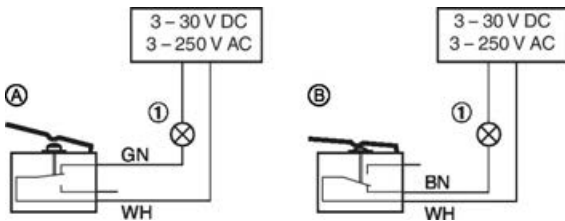


Fig. 42: Wiring of limit switches, example

- 1 Indicator light or relay, to be provided by others
- A Type of connection normally closed
B Type of connection normally open
- The limit switches must be connected according to the wiring example Fig. 42
 - Indicator lights or relays may be connected as long as the performance specifications are taken into consideration.
 - Connection boxes must be fixed to the adjoining structure (wall or ceiling slab). They must not be fixed to the fire damper.

Type of connection	Limit switch	Damper blade	Electric circuit
A	Not actuated	CLOSED or OPEN position <u>not</u> reached	Closed
B	actuated	CLOSED or OPEN position reached	Closed

5.3 Spring return actuator

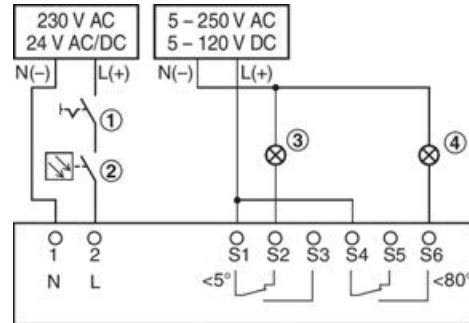


Fig. 43: Actuator connection, example

- 1 Switch for opening and closing, to be provided by others
- 2 Optional release mechanism, e.g. TROX duct smoke detector Type RM-O-3-D or RM-O-VS-D
- 3 Indicator light for CLOSED position, to be provided by others
- 4 Indicator light for OPEN position, to be provided by others

- The fire damper may be equipped with a spring return actuator for a supply voltage of 230 V AC or 24 V AC/DC. See the performance data on the actuator rating plate.
- The spring return actuator must be connected according to the wiring example shown. Several actuators can be connected in parallel as long as the performance specifications are taken into consideration.
- Connection boxes must be fixed to the adjoining structure (wall or ceiling slab). They must not be fixed to the fire damper.

Actuators with 24 V AC/DC

Safety transformers must be used. The connecting cables are fitted with plugs. This ensures quick and easy connection to the TROX AS-i bus system. For connection to the terminals, shorten the connecting cable.

5.4 Spring return actuator and duct smoke detector RM-O-3-D

Note: For connection examples and further details see the RM-O-3-D operating and installation manual

6 Functional test

6.1 General

General

During operation at normal temperatures, the damper blade is open. A functional test involves closing the damper blade and opening it again.

 **CAUTION!**

Danger of injury when reaching into the fire damper while the damper blade is moving. Do not reach into the fire damper while actuating the release mechanism.

6.2 Functional test with automatic control unit

Functional test with automatic control unit

The function of fire dampers with a spring return actuator can also be tested with an automatic control unit. The control unit should have the following functions:

- Opening and closing fire dampers in regular intervals (intervals to be set by the system owner)
- Monitoring of the actuator running times
- Issuing an alarm when the running times are exceeded and when fire dampers close
- Recording the test results

TROXNETCOM systems such as TNC-EASYCONTROL or AS-interface meet all these requirements. For more information see www.troxtechnik.com.

TROXNETCOM systems allow for automatic functional tests; they do not replace maintenance and cleaning, which have to be carried out in regular intervals or depending on the condition of the product. The documentation of test results makes trends visible, e.g. the run time of actuators. They may also indicate the need for additional measures which help to maintain the system's function, e.g. removing heavy contamination (dust in extract air systems).

6.3 Fire damper with fusible link

6.3.1 Fusible link – size 1

damper blade position indicator

The position of the damper blade (1.2) is indicated by the position of the handle (1.6).

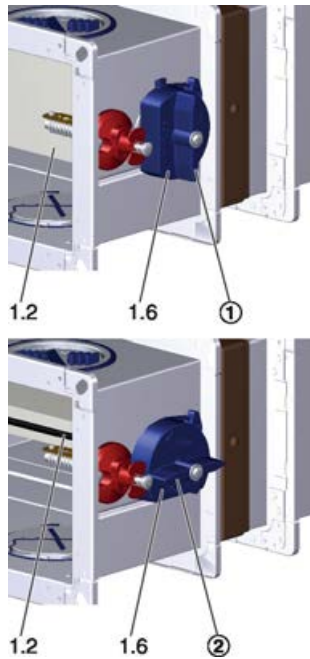


Fig. 44: damper blade position indicator

1. ▶ Damper blade (1.2) is closed.
2. ▶ Damper blade (1.2) is open.

Close the damper blade

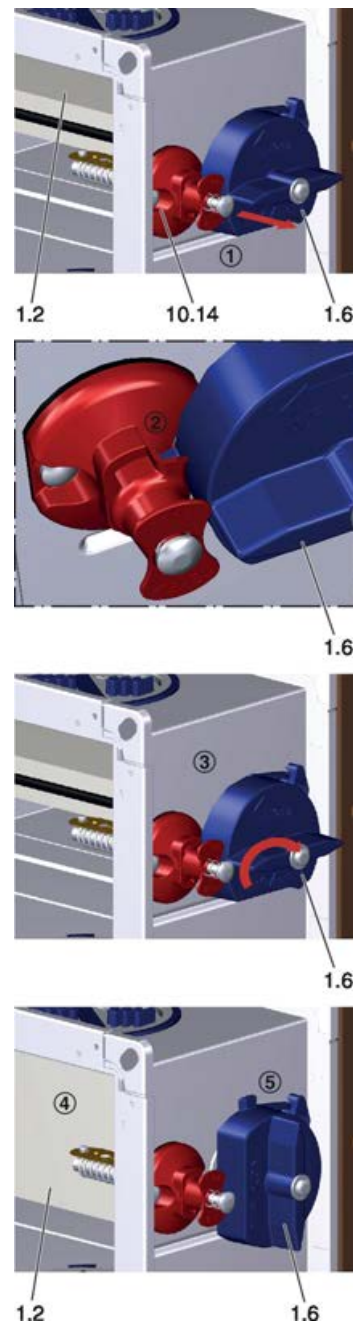


Fig. 45: Close the damper blade

Requirement

- Fire damper is open.
1. ▶ Pull the knob of the thermal release mechanism (10.14) forwards in the direction of the arrow to release
 2. ▶ the handle (1.6).
 3. ▶ The handle (1.6) swivels automatically in the direction of the arrow.
 4. ▶ The damper blade (1.2) is closed and
 5. ▶ the handle (1.6) shows that the damper blade (1.2) is closed.

Opening the damper blade

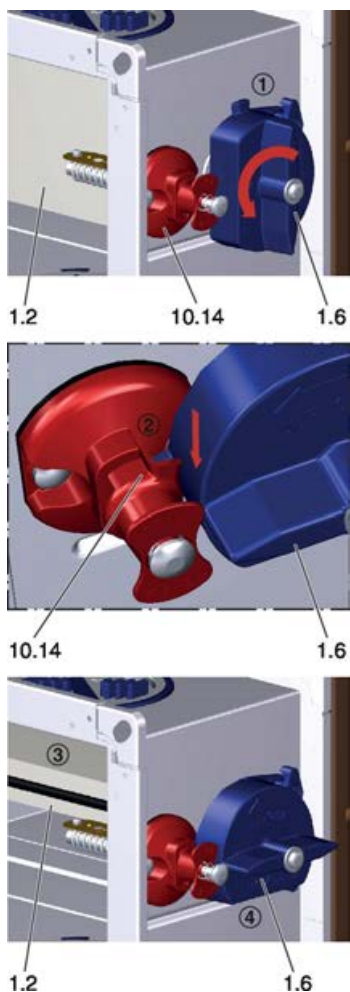


Fig. 46: Opening the damper blade

Requirement

- The damper blade is CLOSED.
1. ▶ Turn the handle (1.6) anti-clockwise (see arrow) until
 2. ▶ the handle (1.6) locks into place (10.14).
 3. ▶ The damper blade (1.2) is now open and
 4. ▶ the handle (1.6) indicates that the damper blade (1.2) is open.

6.3.2 Fusible link – sizes 2 and 3 damper blade position indicator

The position of the damper blade (1.2) is indicated by the red arrow on the cover of the handle (1.6).

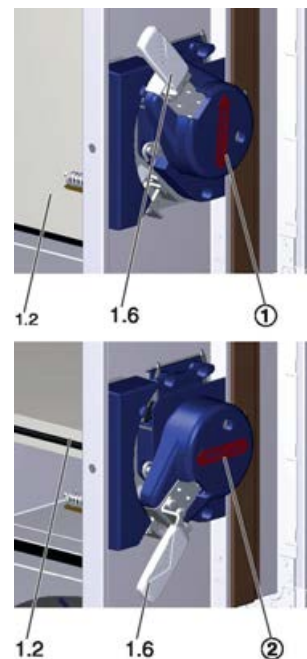


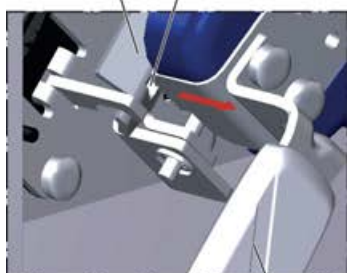
Fig. 47: damper blade position indicator

1. ▶ Damper blade (1.2) is closed.
2. ▶ Damper blade (1.2) is open.

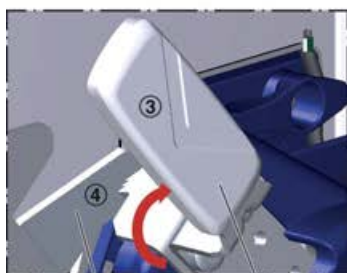
Close the damper blade



1.2 10.16 ② 1.6



1.6



1.7

1.6



1.2

1.6

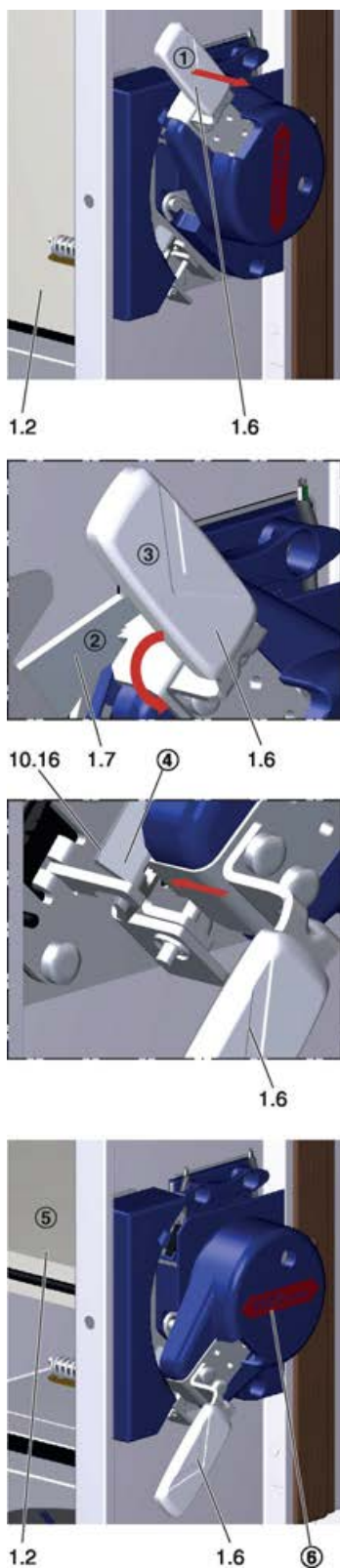
2. ▶ handle (1.6) no longer protrudes into the hole of the fusible link holder lever (10.16).
3. ▶ The handle (1.6) swivels automatically into the direction of the arrow (clockwise)
4. ▶ and locks into the CLOSED position on the interlock (1.7).
5. ▶ The damper blade (1.2) is now closed and
6. ▶ the red arrow on the handle (1.6) indicates that the damper blade (1.2) is closed.

Fig. 48: Close the damper blade

Requirement

- The damper blade is OPEN.
1. ▶ Lift the handle (1.6) in the direction of the arrow so that the

Opening the damper blade



2. ▶ the handle (1.6) is no longer engaged with the interlock (1.7).
3. ▶ Turn the handle (1.6) in the direction of the arrow (anti-clockwise) without lifting it further.
4. ▶ The handle (1.6) locks into the OPEN position in the hole of the fusible link holder lever (10.16).
5. ▶ The damper blade (1.2) is now open and
6. ▶ the red arrow on the handle (1.6) indicates that the damper blade (1.2) is open.

Fig. 49: Opening the damper blade

Requirement

- The damper blade is CLOSED.
1. ▶ Lift the handle (1.6) in the direction of the arrow until

6.4 Fire damper with spring return actuator

6.4.1 Spring return actuator – BFL... / BFN...

Status indicator



Fig. 50: Thermoelectric release mechanism BAT

- 1 Push button for functional test
- 2 Indicator light

The indicator light (2) for the thermoelectric release mechanism is illuminated when all of the following conditions apply:

- Power is being supplied.
- The thermal fuses are intact.
- The push button is not being pushed.

damper blade position indicator

The position of the damper blade is indicated by the pointer on the actuator.



Fig. 51: damper blade position indicator

- 1 Damper blade is closed
- 2 Damper blade is open

Closing/opening the damper blade with spring return actuator



Fig. 52: Functional test (illustration shows FKA2-EU with BFN actuator in OPEN position)

CAUTION!

Danger of injury when reaching into the fire damper while the damper blade is moving. Do not reach into the fire damper while actuating the release mechanism.

Requirement

- Power is being supplied
1. ▶ Push the toggle switch (1) and keep it pushed.
 - ⇒ This interrupts the power supply, and the damper blade closes.
 2. ▶ Check if the damper blade is CLOSED, check run time.
 3. ▶ Release the toggle switch (1).
 - ⇒ Power is supplied again, and the damper blade opens.
 4. ▶ Check if the damper blade is OPEN, check run time.

Opening the damper blade using the crank handle



Fig. 53: Functional test (without power supply)


! DANGER!

Danger due to malfunction of the fire damper.

If the damper blade has been opened by means of the crank handle (without power supply), it will no longer be triggered by a temperature increase, i.e. in the event of a fire. In other words, the damper blade will not close.

To re-establish its function, connect the power supply.

Requirement

- The damper blade is CLOSED
- 1. ▶ Insert the crank handle (1) into the opening for the spring winding mechanism.
- 2. ▶ Turn the crank handle in the direction of the arrow (2) to just short of the travel stop and hold it.
- 3. ▶ Set the interlock (3) to "Lock  closed"
 - ⇒ The damper blade remains in the OPEN position.
- 4. ▶ Remove the crank handle.

Close the fire damper




Fig. 54: Functional test (without power supply)

! CAUTION!

Danger of injury when reaching into the fire damper while the damper blade is moving. Do not reach into the fire damper while actuating the release mechanism.

Requirement

- The damper blade is OPEN
 - ▶ Set the interlock (3) to "Lock  opened"
 - ⇒ The damper blade is released and closes.

7 Commissioning

Before commissioning

Before commissioning, each fire damper must be inspected to determine and assess its actual condition.

The inspection work to be carried out is listed in the complete instructions, see installation and operating manual FKA2-EU.

Operation

During normal operation the damper blade is open to enable air passage through the ventilation system.

If the temperature in the duct ($\geq 72\text{ °C}$ / $\geq 95\text{ °C}$ in warm air ventilation systems) or the ambient temperature ($\geq 72\text{ °C}$) rises in the event of a fire, the thermal release mechanism is triggered. This action closes the damper blade.



CLOSED fire dampers

Fire dampers which close while the ventilation system is running must be inspected before they are opened again in order to ensure their correct function.

8 Index

A

Air transfer damper.....	21
Air transfer unit.....	20

B

Bearing.....	23
--------------	----

C

Casing length.....	9, 12, 16, 20
Combined installation.....	24
Commissioning.....	68
Compartment walls with metal support structure and cladding on both sides.....	43
Copyright.....	3
Correct use.....	6

D

damper blade position indicator.....	62, 63, 66
Defects liability.....	3
Dimensions.....	9, 12, 16, 19, 20, 21
Dry mortarless installation.....	24
Duct smoke detector.....	19, 21, 60

E

Electrical connection.....	60
Even number of holes.....	11

F

Fire batt.....	24, 36
Flange holes.....	11
Functional test.....	61

G

Gypsum wallboard.....	24
-----------------------	----

H

Half-timbered constructions.....	24, 38
Historical wooden beam ceilings.....	39
Hotline.....	3

I

Installation position.....	30
Installation side.....	9, 12, 16, 20
Installation situations.....	24

L

Lightweight ceilings.....	24
Lightweight partition walls with metal support structure.....	38
Lightweight partition walls with metal support structure and cladding on both sides.....	43
Lightweight partition walls with timber support structure.....	38
Limitation of liability.....	3
Limit switch.....	9, 60

M

Metal stud walls.....	24
Mortar-based installation.....	24
Multiple installation.....	24

O

Operating side.....	9, 12, 16, 20
Operation.....	68

P

Packaging.....	23
Partial mortaring.....	24
Personnel.....	6
Product sticker.....	8

S

Sandwich panel walls.....	24
Service.....	3
Shaft walls.....	24
Shaft walls with metal support structure.....	39
Shaft walls without metal support structure.....	39
Side B.....	9, 12, 16, 20
Side H.....	9, 12, 16, 20
Sizes.....	9, 20
Solid ceiling slabs.....	24, 39
Solid walls.....	24, 37, 38, 40
Solid wood ceilings.....	24, 39
Solid wood walls.....	24, 38
Spring return actuator.....	13, 14, 17, 18, 60
Supply package.....	23
Suspension.....	56
Symbols.....	4

T

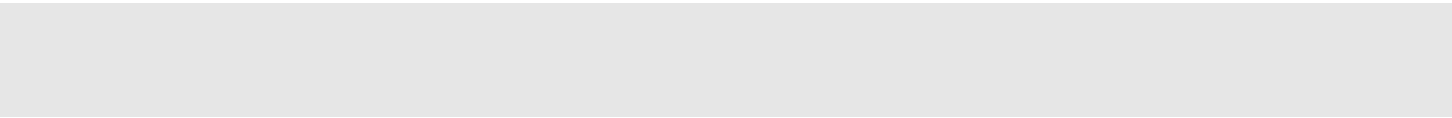
Technical data.....	7
Technical Service.....	3
Threaded rods.....	56
Timber stud walls.....	24
Transport.....	23
Transport damage.....	23

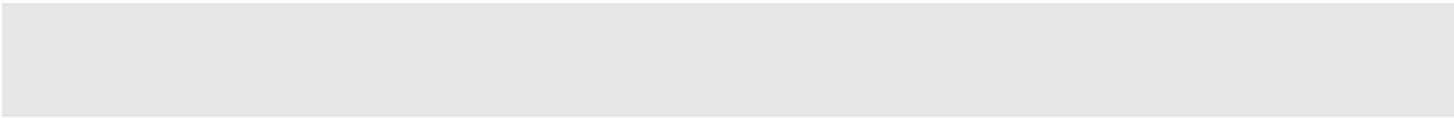
U

Uneven number of holes.....	11
-----------------------------	----

W

Wall attachment.....	24
Wall penetration.....	24
Warranty claims.....	3
Weights.....	9, 12, 16, 19, 20, 21
Wooden beam ceilings.....	24, 39





TROX[®] TECHNİK

The art of handling air

TROX GmbH
Heinrich-Trox-Platz
47504 Neukirchen-Vluyn
Germany

Phone: +49 (0) 2845 2020
+49 (0) 2845 202-265
E-mail: trox-de@troxgroup.com
<http://www.troxtechnik.com>

© 2022